

# Ecological site R043BY316WY Igneous (Ig) 15-19" Foothills and Mountains East Precipitation Zone

Accessed: 05/04/2024

## General information

**Provisional.** A provisional ecological site description has undergone quality control and quality assurance review. It contains a working state and transition model and enough information to identify the ecological site.

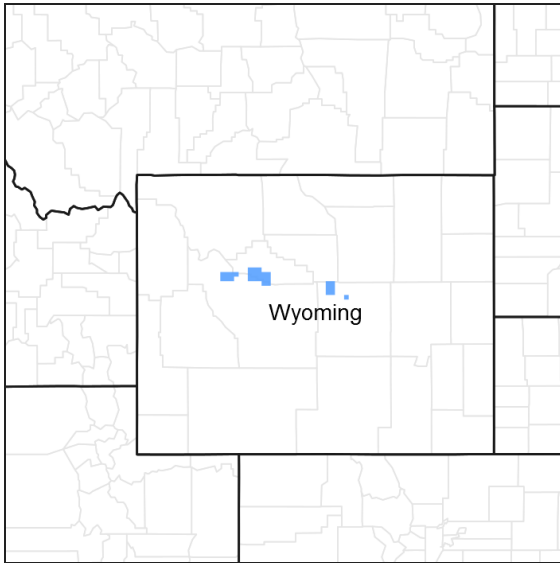


Figure 1. Mapped extent

Areas shown in blue indicate the maximum mapped extent of this ecological site. Other ecological sites likely occur within the highlighted areas. It is also possible for this ecological site to occur outside of highlighted areas if detailed soil survey has not been completed or recently updated.

## Associated sites

R043BY304WY	<b>Clayey (Cy) 15-19" Foothills and Mountains East Precipitation Zone</b> Clayey
R043BY322WY	<b>Loamy (Ly) 15-19" Foothills and Mountains East Precipitation Zone</b> Loamy
R043BY360WY	<b>Shallow Igneous (Swlg) 15-19" Foothills and Mountains East Precipitation Zone</b> Shallow Igneous

## Similar sites

R043BY116WY	<b>Igneous High Mountains</b> Igneous 20"+ High Mountains P.Z., 043BY116WY has higher production.
-------------	--

Table 1. Dominant plant species

Tree	Not specified
Shrub	Not specified
Herbaceous	Not specified

## Physiographic features

This site occurs on steep slopes and ridge tops, but may occur on all slopes.

**Table 2. Representative physiographic features**

Landforms	(1) Hill (2) Ridge
Flooding frequency	None
Ponding frequency	None
Elevation	1,829–2,743 m
Slope	3–75%
Aspect	Aspect is not a significant factor

## Climatic features

Annual precipitation ranges from 15-19 inches per year. June is generally the wettest month. July, August, and September are somewhat less with daily amounts rarely exceeding one inch.

Snowfall is quite heavy in the area. Annual snowfall averages about 150 inches.

Because of the varied topography, the wind will vary considerably for different parts of the area. The wind is usually much lighter at the lower elevations and in the valleys as compared with the higher terrain. The average winter wind velocity is 8.5 mph while the summer wind velocity averages 7.5 mph. Winds during storms and on ridges may exceed 45 mph.

Growth of native cool-season plants begins about May 1 to May 15 and continues to about October 10.

The following information is from the "Crandall Creek" climate station, at the lower end of this precipitation zone:

Minimum Maximum 5 yrs. out of 10 between

Frost-free period (days): 16 80 July 8 – August 20

Freeze-free period (days): 37 120 June 17 – September 5

Mean Annual Precipitation (inches): 10.24 21.23

Mean annual precipitation: 14.90 inches

Mean annual air temperature: 38.16 F (21.88 F Avg. Min. to 54.66 F Avg. Max.)

For detailed information, visit the Natural Resources Conservation Service National Water and Climate Center at <http://www.wcc.nrcs.usda.gov/> website. There are no other climate station(s) known to be representative of this precipitation zone.

**Table 3. Representative climatic features**

Frost-free period (average)	80 days
Freeze-free period (average)	120 days
Precipitation total (average)	483 mm

## Influencing water features

Stream type: None

## Soil features

The soils associated with this site were derived from granitic or volcanic bedrock. These soils are generally less than 10" in depth and virtually impermeable to plant roots. Pockets of deep soil may occur in this site and are

moderately acidic. The bedrock will include all kinds including igneous, metamorphic and other volcanic material. The soil characteristics having the most influence on the plant community are the shallow depths and heavy textures.

**Table 4. Representative soil features**

Surface texture	(1) Loam
Family particle size	(1) Loamy
Drainage class	Well drained
Permeability class	Moderate
Soil depth	10–25 cm
Surface fragment cover <=3"	0–10%
Surface fragment cover >3"	0–20%
Available water capacity (0-101.6cm)	5.59–16.76 cm
Calcium carbonate equivalent (0-101.6cm)	0–5%
Electrical conductivity (0-101.6cm)	0–4 mmhos/cm
Sodium adsorption ratio (0-101.6cm)	0–5
Soil reaction (1:1 water) (0-101.6cm)	6.6–7.8
Subsurface fragment volume <=3" (Depth not specified)	0–15%

## Ecological dynamics

Potential vegetation on this site is dominated by mid cool-season perennial grasses. Other significant vegetation includes black sagebrush, three-tip sagebrush, and a variety of forbs. The expected potential composition for this site is about 75% grasses, 15% forbs and 10% woody plants. The composition and production will vary naturally due to historical use, fluctuating precipitation and fire frequency.

As this site deteriorates species such as bluegrasses, black sagebrush, and three-tip sagebrush will increase. Cool season grasses such as bluebunch wheatgrass, mountain muhly, spikefescue and Idaho fescue will decrease in frequency and production. As the site continues to deteriorate, annual forbs and grasses such as cheatgrass will invade.

Due to the heavy browsing, the antelope bitterbrush component may not be resilient once it has been removed or severely reduced if a vigorous stand of grass exists and is maintained. The exception to this is where the herbaceous component is severely degraded at the time of treatment, growing conditions are unfavorable after treatment, and/or recovery of herbaceous species are inadequate due to improper grazing management. Regeneration of antelope bitterbrush and black sagebrush may also be suppressed if three-tip sagebrush is established. This situation is more likely to develop in areas where fires have occurred in a relatively short cycle. Three-tip is a strong resprouter and will out compete other shrubs where a site is disturbed.

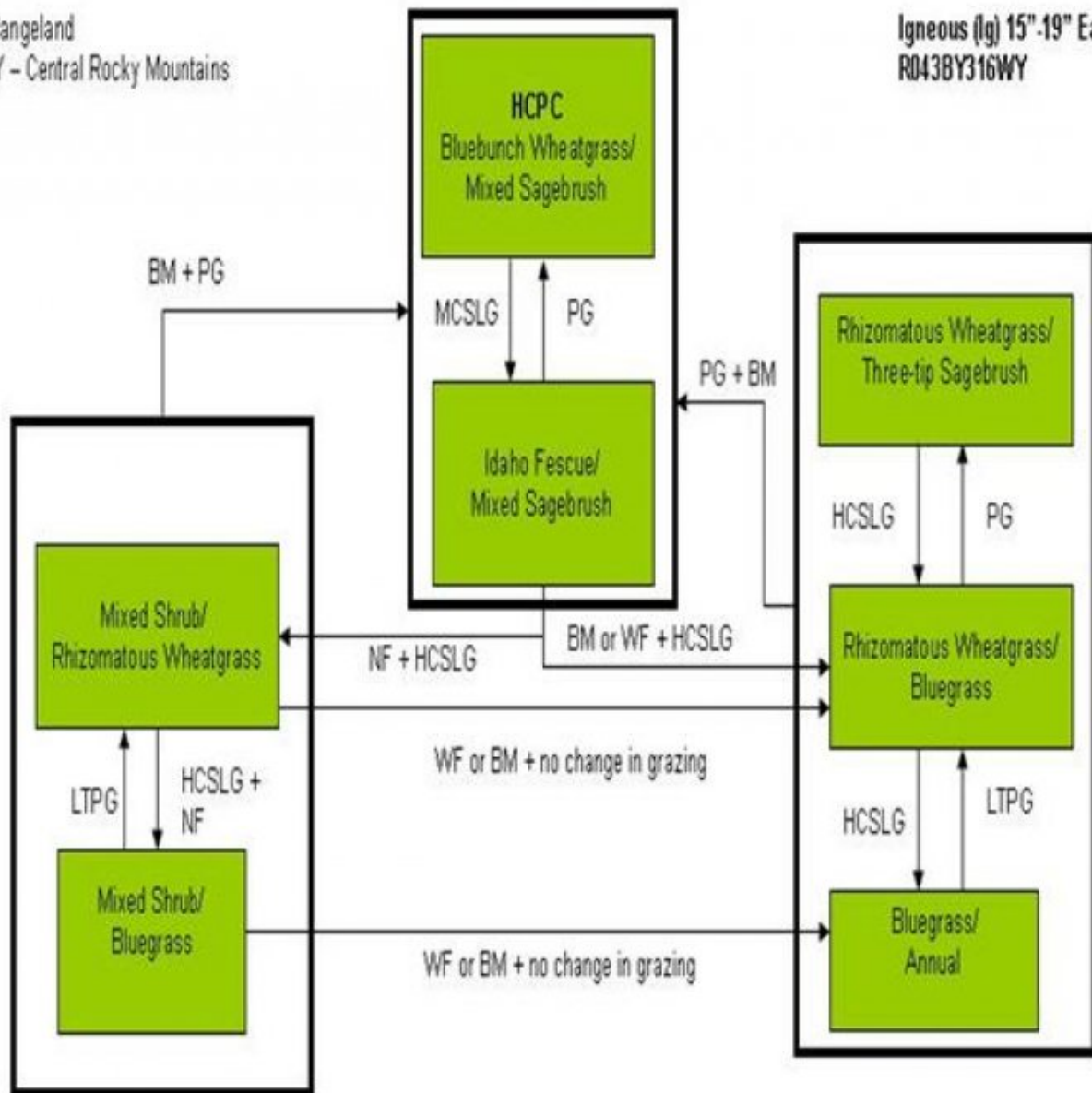
The Historic Climax Plant Community (description follows the plant community diagram) has been determined by study of rangeland relic areas, or areas protected from excessive disturbance. Trends in plant communities going from heavily grazed areas to lightly grazed areas, seasonal use pastures, and historical accounts have also been used.

The following is a State and Transition Model Diagram that illustrates the common plant communities (states) that can occur on the site and the transitions between these communities. The ecological processes will be discussed in more detail in the plant community narratives following the diagram.

## State and transition model

Site Type: Rangeland  
MLRA: 43BY – Central Rocky Mountains

Igneous (lg) 15"-19" East P.Z.  
R043BY316WY



- BM – Brush Management (fire, chemical, mechanical)
- Freq. & Severe Grazing – Frequent and Severe Utilization of the Cool-season Mid-grasses during the Growing Season
- GLMT – Grazing Land Mechanical Treatment
- LTPG – Long-term Prescribed Grazing
- MCSLG – Moderate, Continuous Season-long Grazing
- HCSLG – Moderate, Continuous Season-long Grazing
- NU, NF – No Use and No Fire
- PG – Prescribed Grazing (proper stocking rates with adequate recovery periods during the growing season)
- VLTPG – Very Long-term Prescribed Grazing (could possibly take generations)
- Na – Moderate Sodium in Soil
- WF – Wildfire

## State 1

### Bluebunch Wheatgrass/Mixed Sagebrush Plant Community

#### Community 1.1

##### Bluebunch Wheatgrass/Mixed Sagebrush Plant Community

The interpretive plant community for this site is the Historic Climax Plant Community. This state evolved with grazing by large herbivores, soil less than 10 inches, and an occasional wildfire. The cyclical nature of the fire regime in this community prevents sagebrush from being the dominant landscape. Potential vegetation is about 75% grasses or grass-like plants, 15% forbs, and 10% woody plants. The major grasses include bluebunch wheatgrass, mountain muhly, spikefescue, Idaho fescue, prairie junegrass, and rhizomatous wheatgrass. Woody plants are black and three-tip sagebrush and antelope bitterbrush. A variety of forbs also occurs in this state and plant diversity is high (see Plant Composition Table). This state produces between 400 and 800 pounds annually, depending on the growing conditions. This plant community is extremely stable and well adapted to the Central Rocky Mountains climatic conditions. The diversity in plant species allows for high drought tolerance. This is a sustainable plant community (site/soil stability, watershed function, and biologic integrity). Transitions or pathways leading to other plant communities are as follows: • Moderate, continuous season-long grazing will convert the HCPC to the Idaho Fescue/Mixed Sagebrush Plant Community. Prolonged drought will exacerbate this transition.

Figure 4. Plant community growth curve (percent production by month).  
WY0601, 15-19E all upland sites.

Jan	Feb	Mar	Apr	May	Jun	Jul	Aug	Sep	Oct	Nov	Dec
			5	15	40	20	10	10			

## State 2

### Idaho Fescue/Mixed Sagebrush Plant Community

#### Community 2.1

##### Idaho Fescue/Mixed Sagebrush Plant Community

Historically, this plant community evolved under grazing by large ungulates and a low fire frequency. Currently, it occurs under moderate, season-long grazing by livestock and is exacerbated by prolonged drought conditions. In addition, the fire regime for this site has been modified and extended periods without fire is now common. Shrubs are significant components of this plant community. Cool-season grasses make up the majority of the understory with the balance made up of miscellaneous forbs. Dominant grasses include Idaho fescue, mountain muhly, prairie junegrass, western wheatgrass and of less frequency bluebunch wheatgrass and spikefescue. Grasses of secondary importance include spike trisetum, bluegrasses, and onespoke oatgrass. Forbs commonly found in this plant community include hawksbeard, balsamroot, asters, buckwheat, phlox, and penstemons. Shrubs such as black sagebrush and/or three-tip sagebrush, antelope bitterbrush, and juniper can make up to 20% of the total annual production. When compared to the Historic Climax Plant Community, black sagebrush and three-tip sagebrush, bluegrasses, and prairie junegrass have increased. Production of specific species such as bluebunch wheatgrass and spikefescue, has been reduced. Some weedy species such as cheatgrass may have invaded the site but are in small patches. Annual production ranges from 350 to 750 pounds. This plant community is resistant to change. The herbaceous species present are well adapted to grazing; however, species composition can be altered through long-term overgrazing. The herbaceous component is mostly intact and plant vigor and replacement capabilities are sufficient. Water flow patterns and litter movement is not uncommon especially on steeper slopes. Incidence of pedestalling is minimal but normal. Soils are mostly stable and the surface shows minimum soil loss. The watershed is functioning and the biotic community is intact. Transitions or pathways leading to other plant communities are as follows: • Prescribed grazing will convert this plant community to the HCPC. The probability of this occurring is high especially if rotational grazing along with short deferred grazing is implemented as part of the prescribed method of use. In addition, the removal of fire suppression will allow a somewhat natural fire regime to reoccur, to more easily transition between this plant community and the HCPC. A prescribed fire treatment can be useful to hasten this transition if desired. • Heavy, continuous, season-long grazing plus no fires will convert the plant community to the Mixed Shrub/Rhizomatous Wheatgrass Plant Community. The probability of this occurring is high. This is especially evident on areas where drought or heavy browsing does not adversely impact the shrub stand. • Heavy, continuous, season-long grazing plus wildfire or brush management will convert the plant

community to a Rhizomatous Wheatgrass/Bluegrass Plant Community. The probability for this is high, especially on areas where the shrubs have been heavily browsed or removed by natural or human causes. Drought can also exacerbate this transition.

**Figure 5. Plant community growth curve (percent production by month). WY0601, 15-19E all upland sites.**

Jan	Feb	Mar	Apr	May	Jun	Jul	Aug	Sep	Oct	Nov	Dec
			5	15	40	20	10	10			

### **State 3 Mixed Shrub/Rhizomatous Wheatgrass Plant Community**

#### **Community 3.1 Mixed Shrub/Rhizomatous Wheatgrass Plant Community**

This plant community currently is found under heavy continuous season-long grazing by livestock and protection from fire. Shrubs are a significant component of this plant community. Cool-season grasses make up the majority of the understory, but some of the preferred grasses have been reduced or are absent. Dominant grasses include rhizomatous wheatgrasses, mountain muhly, prairie junegrass, and of less frequency Columbia needlegrass, spikefescue, Idaho fescue and bluebunch wheatgrass. Grasses of secondary importance include slender wheatgrass, spike trisetum, one-spike oatgrass, and bluegrasses. Forbs commonly found in this plant community include balsamroot, agoseris, buckwheat, arnica, phlox, lupine, larkspur, asters, pussytoes, and stoneseed. Three-tip sagebrush, black sagebrush, and juniper can make up to 30% of the total annual production. When compared to the Historic Climax Plant Community, black sagebrush, three-tip sagebrush, bluegrasses, prairie junegrass, and rhizomatous wheatgrasses have increased. Most of the preferred grasses have been reduced and some are absent. Some annuals, such as cheatgrass, have invaded the site, but are not yet abundant. Annual production ranges from 300 to 700 pounds. This plant community is resistant to change as the shrubs become more abundant. These areas may actually be more resistant to fire as less fine fuels are available and the bare ground between the shrubs is increased. The herbaceous component is not as diverse and plant vigor and species regeneration capabilities of some cool-season perennials are deficient. The removal of grazing does not seem to affect the plant composition or structure of the plant community. Soil erosion is accelerated because of increased bare ground. Water flow patterns and pedestalling is more noticeable. Infiltration is reduced and runoff is increased. Rill channels may be noticeable in the interspaces on steeper areas and gullies may be establishing where rills have concentrated down slope. Transitions or pathways leading to other plant communities are as follows:

- Prescribed grazing plus brush management will convert this plant community to near HCPC. If prescribed fire is used as a means to reduce or remove the shrubs, sufficient fine fuels will need to be present. This may require deferment from grazing prior to treatment. Post management is critical to ensure success. This can range from two or more years of rest to partial growing season deferment, depending on the condition of the understory at the time of treatment and the growing conditions following treatment. Seeding may be required regardless of the brush treatment to reestablish the major cool-season grasses.
- Heavy, continuous season-long grazing plus no fires will convert the plant community to the Mixed Shrub/Bluegrass Plant Community. The probability of this occurring is high and is especially evident on areas where drought or heavy browsing does not adversely impact the shrub stand.
- Brush management or Wildfire with no change in grazing management will convert this plant community to the Rhizomatous Wheatgrass/Bluegrass Plant Community.

**Figure 6. Plant community growth curve (percent production by month). WY0601, 15-19E all upland sites.**

Jan	Feb	Mar	Apr	May	Jun	Jul	Aug	Sep	Oct	Nov	Dec
			5	15	40	20	10	10			

### **State 4 Mixed Shrub/Bluegrass Plant Community**

#### **Community 4.1 Mixed Shrub/Bluegrass Plant Community**

This plant community is the result of frequent and severe grazing and protection from fire. Shrubs are a dominant component of this plant community and annual production can exceed 30%. Black sagebrush, three-tip sagebrush, and bluegrasses are the primary components of the plant community as the preferred cool season grasses have been eliminated or greatly reduced. The interspaces between plants have expanded leaving the amount of bare ground more prevalent and more soil surface exposed to erosive elements. Bluegrasses such as Sandberg, mutton, big, and Canby dominate the understory. Weedy annual species such as cheatgrass, kochia, Russian thistle, and a variety of mustards may occupy the site. Noxious weeds such as Canada thistle may invade the site if a seed source is available. When compared with the HCPC, the annual production is less, as the major cool-season grasses are reduced, but the shrub production has increased significantly and compensates for some of the decline in the herbaceous production. Annual production ranges from 200 to 550 pounds. This plant community is resistant to change as the stand becomes more decadent. These areas may actually be more resistant to fire as less fine fuels are available and the bare ground between the shrubs is increased. The herbaceous component is not as diverse and plant vigor and species regeneration capabilities of cool-season perennials are deficient. The removal of grazing does not seem to affect the plant composition or structure of the plant community. Soil erosion is accelerated because of increased bare ground. Water flow patterns and pedestalling are obvious. Infiltration is reduced and runoff is increased. Rill channels may be noticeable in the interspaces and gullies may be establishing where rills have concentrated down slope. Transitions or pathways leading to other plant communities are as follows: • Prescribed grazing plus brush management will convert this plant community to near HCPC. If prescribed fire is used as a means to reduce or remove the shrubs, sufficient fine fuels will need to be present. This may require deferment from grazing prior to treatment. Post management is critical to ensure success. This can range from two or more years of rest to partial growing season deferment, depending on the condition of the understory at the time of treatment and the growing conditions following treatment. Seeding may be required regardless of the brush treatment to reestablish the major cool-season grasses. • Long-term prescribed grazing will convert this plant community to the Mixed Shrub/Rhizomatous Wheatgrass Plant Community. • Brush management or Wildfire with no change in grazing management will convert this plant community to the Bluegrass/Annual Plant Community.

Figure 7. Plant community growth curve (percent production by month).  
WY0601, 15-19E all upland sites.

Jan	Feb	Mar	Apr	May	Jun	Jul	Aug	Sep	Oct	Nov	Dec
			5	15	40	20	10	10			

## State 5 Rhizomatous Wheatgrass/Three-tip Sagebrush Plant Community

### Community 5.1 Rhizomatous Wheatgrass/Three-tip Sagebrush Plant Community

This plant community currently is found under prescribed grazing or possibly no use by livestock and is perpetuated by a fire cycle, which maintains the removal of shrubs with the exception of three-tip sagebrush. Three-tip sagebrush is a significant component of this plant community. Cool-season grasses remain an important component, but some bunchgrasses are not as abundant. Dominant grasses include Montana wheatgrass, Lettermans needlegrass, and rhizomatous wheatgrasses, and of less frequency Columbia needlegrass, Idaho fescue, bluebunch wheatgrass, and spikefescue. Grasses of secondary importance include prairie junegrass, slender wheatgrass, spike trisetum, and bluegrasses. Forbs commonly found in this plant community include balsamroot, paintbrush, phlox, groundsel, penstemon, larkspur, lupine, pussytoes, hawksbeard, and American vetch. Three-tip sagebrush can comprise as much as 25% of the total production. When compared to the Historical Climax Plant Community, Montana wheatgrass, rhizomatous wheatgrass, three-tip sagebrush and rubber rabbitbrush have increased. Columbia needlegrass, bluebunch wheatgrass, spikefescue, and Idaho fescue have decreased. Production of cool-season grasses has remained about the same. Cheatgrass can be common and in large patches, but most of the invaded areas are relatively small. Annual production ranges from 350 to 750 pounds. This plant community is resistant to change as once three-tip sagebrush and rubber rabbitbrush become the dominant shrubs it is difficult for other shrubs to become established. The herbaceous species present are well adapted to grazing; however, species composition can be altered through long-term overgrazing. The herbaceous component is mostly intact and plant vigor and replacement capabilities are sufficient. Water flow patterns and litter movement may be occurring but only on steeper slopes. Incidence of pedestalling is minimal. Soils are mostly stable and the surface shows minimum soil loss. The watershed is functioning and the biotic community is intact.



Transitions or pathways leading to other plant communities are as follows: • Prescribed grazing and brush management will convert this plant community to the HCPC. Controlling three-tip sagebrush and rubber rabbitbrush is difficult as both are strong resprouters. Reestablishing the black sagebrush and antelope bitterbrush stand may be difficult and may take many years. • Heavy, continuous, season-long grazing will convert this plant community to a Rhizomatous Wheatgrass/Bluegrass Plant community. More than likely, three-tip sage will persist in varying degrees, as it is difficult to control and is a strong resprouter.

**Figure 8. Plant community growth curve (percent production by month). WY0601, 15-19E all upland sites.**

Jan	Feb	Mar	Apr	May	Jun	Jul	Aug	Sep	Oct	Nov	Dec
			5	15	40	20	10	10			

## **State 6 Rhizomatous Wheatgrass/bluegrass Plant Community**

### **Community 6.1 Rhizomatous Wheatgrass/bluegrass Plant Community**

This plant community currently is found under heavy continuous season-long grazing by livestock and is perpetuated by either brush management or a wildfire, which removes or greatly reduces the shrubs. Three-tip sagebrush may still be a component of this plant community, but can also be lacking. Some of the major cool-season bunchgrasses associated with this site have been reduced and some may have been removed. Dominant grasses include rhizomatous wheatgrasses, bluegrasses, prairie junegrass, spike trisetum, and Montana wheatgrass, and of less frequency Columbia needlegrass, Idaho fescue, bluebunch wheatgrass, and spikefescue. Forbs commonly found in this plant community include balsamroot, agoseris, buckwheat, arnica, phlox, lupine, larkspur, asters, pussytoes, and stoneseed. Three-tip sagebrush as well as pockets of black sagebrush can comprise as much as 15% of the total production. When compared to the Historical Climax Plant Community, rhizomatous wheatgrass, prairie junegrass, Montana wheatgrass, and three-tip sagebrush have increased. Columbia needlegrass, bluebunch wheatgrass, and Idaho fescue have decreased or been removed. Production of the preferred cool-season grasses has been reduced. Cheatgrass can be common and in large patches, but most of the invaded areas are relatively small. Annual production ranges from 250 to 600 pounds. This plant community is resistant to change as the herbaceous species present are well adapted to grazing and if three-tip sagebrush and rubber rabbitbrush become the dominant shrubs it is difficult for other shrubs to become established. However, species composition can be altered through long-term overgrazing. The herbaceous component is mostly intact, but some cool-season bunchgrasses associated with the site have been reduced or removed. Plant vigor and replacement capabilities are sufficient for some species but not all. Water flow patterns and litter movement is occurring but only on steeper slopes. Incidence of pedestalling is moderate to slight. Soils are mostly stable and the surface shows minimum soil loss. The watershed is functioning and the biotic community is partially intact. Transitions or pathways leading to other plant communities are as follows: • Prescribed grazing plus brush management will convert this plant community to near HCPC. Controlling three-tip sagebrush and rubber rabbitbrush, if present, is difficult as these are strong resprouters. Reestablishing the big sagebrush and antelope bitterbrush may be difficult and may take many years. Seeding may be required to reestablish any of the lost major bunchgrasses. • Heavy, continuous season-long grazing will convert this plant community to a Bluegrass/Annual Plant Community. If three-tip sage is present more than likely it will persist in varying degrees as it is difficult to control.

**Figure 9. Plant community growth curve (percent production by month). WY0601, 15-19E all upland sites.**

Jan	Feb	Mar	Apr	May	Jun	Jul	Aug	Sep	Oct	Nov	Dec
			5	15	40	20	10	10			

## **State 7 Bluegrass/Annual Plant Community**

### **Community 7.1**

## Bluegrass/Annual Plant Community

This plant community evolved under frequent and severe heavy grazing and the shrub component has been removed by heavy browsing, wildfire or human means. Weedy annuals and bluegrasses are the most dominant plants and occupy any open bare ground area. Three-tip sagebrush may or may not be present. However, it is common for this shrub to occur as it is a strong resprouter and may quickly re-establish the site after a disturbance. Compared to the HCPC, weedy annual species and bluegrasses are widespread and virtually all of the major cool-season mid-grasses are absent or severely decreased. Weedy annuals may include cheatgrass, kochia, Russian thistle, and a variety of mustards. Bluegrass species will include Sandberg, mutton, Canby, and big. Noxious weeds such as Canada thistle may invade if a seed source is available. The interspaces between plants have expanded leaving the amount of bare ground more prevalent and more soil surface exposed to erosive elements. Annual production ranges from 100 to 500 pounds. This plant community is resistant to overgrazing. Annuals and bluegrasses are effectively competing against the establishment of perennial cool-season grasses. Plant diversity is greatly altered and the herbaceous component is not intact. Recruitment of the major perennial grasses is not occurring and the replacement potential is absent. The biotic integrity is missing. The state is unstable and is not protected from excessive erosion. Rill channels and maybe even gullies may be present on site and adjacent areas are impacted by excessive runoff. Water flow patterns and pedestalling are obvious. The watershed is not functioning. Transitions or pathways leading to other plant communities are as follows: • Prescribed grazing plus brush management may convert this plant community to near HCPC, although it will require major investment and time. Controlling three-tip sagebrush, if present, is difficult as it is a strong resprouter. Reestablishing the big sagebrush stand may be difficult and may take many years. Seeding will be required to reestablish any of the lost major bunchgrasses. • Prescribed grazing over the Long Term will convert this plant community to the Rhizomatous Wheatgrass/Bluegrass Plant community.

Figure 10. Plant community growth curve (percent production by month). WY0601, 15-19E all upland sites.

Jan	Feb	Mar	Apr	May	Jun	Jul	Aug	Sep	Oct	Nov	Dec
			5	15	40	20	10	10			

## Additional community tables

Table 5. Community 1.1 plant community composition

Group	Common Name	Symbol	Scientific Name	Annual Production (Kg/Hectare)	Foliar Cover (%)
<b>Grass/Grasslike</b>					
1				67–168	
	bluebunch wheatgrass	PSSP6	<i>Pseudoroegneria spicata</i>	67–168	–
2				0–67	
	mountain muhly	MUMO	<i>Muhlenbergia montana</i>	0–67	–
3				0–67	
	spike fescue	LEK12	<i>Leucopoa kingii</i>	0–67	–
4				0–67	
	Idaho fescue	FEID	<i>Festuca idahoensis</i>	0–67	–
5				0–67	
	prairie Junegrass	KOMA	<i>Koeleria macrantha</i>	0–67	–
6				0–67	
	western wheatgrass	PASM	<i>Pascopyrum smithii</i>	0–67	–
7				67–135	
	Grass, perennial	2GP	<i>Grass, perennial</i>	0–34	–
	timber oatgrass	DAIN	<i>Danthonia intermedia</i>	0–34	–
	onespike danthonia	DAUN	<i>Danthonia unispicata</i>	0–34	–
	Montana wheatgrass	ELAL7	<i>Elymus albicans</i>	0–34	–

	slender wheatgrass	ELIR1	<i>Elymus trachycalius</i>	0-34	-
	spike trisetum	TRSP2	<i>Trisetum spicatum</i>	0-34	-
<b>Forb</b>					
8				34-101	
	Forb, perennial	2FP	<i>Forb, perennial</i>	0-34	-
	yarrow	ACHIL	<i>Achillea</i>	0-34	-
	rosy pussytoes	ANRO2	<i>Antennaria rosea</i>	0-34	-
	sandwort	ARENA	<i>Arenaria</i>	0-34	-
	arnica	ARNIC	<i>Arnica</i>	0-34	-
	milkvetch	ASTRA	<i>Astragalus</i>	0-34	-
	balsamroot	BALSA	<i>Balsamorhiza</i>	0-34	-
	tapertip hawksbeard	CRAC2	<i>Crepis acuminata</i>	0-34	-
	fleabane	ERIGE2	<i>Erigeron</i>	0-34	-
	buckwheat	ERIOG	<i>Eriogonum</i>	0-34	-
	aster	EUCEP2	<i>Eucephalus</i>	0-34	-
	lupine	LUPIN	<i>Lupinus</i>	0-34	-
	stonecrop	SEDUM	<i>Sedum</i>	0-34	-
	American vetch	VIAM	<i>Vicia americana</i>	0-34	-
<b>Shrub/Vine</b>					
9				0-67	
	black sagebrush	ARNO4	<i>Artemisia nova</i>	0-67	-
	antelope bitterbrush	PUTR2	<i>Purshia tridentata</i>	0-67	-
10				0-34	
	threetip sagebrush	ARTR4	<i>Artemisia tripartita</i>	0-34	-
11				0-34	
	Rocky Mountain juniper	JUSC2	<i>Juniperus scopulorum</i>	0-34	-
12				0-34	
	Shrub (>.5m)	2SHRUB	<i>Shrub (&gt;.5m)</i>	0-34	-
	Shrub (>.5m)	2SHRUB	<i>Shrub (&gt;.5m)</i>	0-34	-

## Animal community

### Animal Community – Wildlife Interpretations

Bluebunch Wheatgrass/Mixed Sagebrush Plant Community (HCPC): The predominance of grasses in this plant community favors grazers and mixed-feeders, such as deer, bison, elk, and antelope. Suitable thermal and escape cover for deer may be limited due to the low quantities of woody plants. However, topographical variations could provide some escape cover. Due to the location of these sites on the foot slopes of mountains they are valuable for elk and deer winter ranges. When found adjacent to sagebrush dominated states, this plant community may provide brood rearing/foraging areas for sage grouse, as well as lek sites. Other birds that would frequent this plant community include western meadowlark, lark bunting, sage thrasher, horned larks, red-tail and ferruginous Hawks, and golden eagles.

Many grassland obligate small mammals would occur here.

### Idaho Fescue/Mixed Sagebrush Plant Community:

The combination of an overstory of sagebrush and an understory of grasses and forbs provides a very diverse plant community for wildlife. The crowns of sagebrush tend to break up hard crusted snow on winter ranges, so mule deer, elk, and antelope may use this state for foraging and cover year-round, as would cottontail and jack rabbits. It provides important winter, nesting, brood-rearing, and foraging habitat for sage grouse. Brewer's sparrows' nest in big sagebrush plants and hosts of other nesting birds utilize stands in the 20-30% cover range. Other birds that

would frequent this plant community include western meadowlark, lark bunting, sage thrasher, horned larks, red-tail and ferruginous Hawks, and golden eagles.

**Mixed Shrub/Rhizomatous Wheatgrass Plant Community:** The combination of an overstory of big sagebrush and an understory of grasses and forbs provides a very diverse plant community for wildlife. The crowns of sagebrush tend to break up hard crusted snow on winter ranges, so mule deer, elk, and antelope may use this state for foraging and cover year-round, as would cottontail and jack rabbits. It provides important winter, nesting, brood-rearing, and foraging habitat for sage grouse. Brewer's sparrows' nest in big sagebrush plants and hosts of other nesting birds utilize stands in the 20-30% cover range. Other birds that would frequent this plant community include western meadowlark, lark bunting, sage thrasher, horned larks, red-tail and ferruginous Hawks, and golden eagles.

**Mixed Shrub/Bluegrass Plant Community:** This plant community can provide important winter foraging for elk, mule deer and antelope, as sagebrush can approach 15% protein and 40-60% digestibility during that time. This community provides escape and thermal cover for large ungulates, as well as nesting and brood rearing habitat for sage grouse. Due to the lack of herbaceous production and diversity of mid cool season grasses on this site, it is not as beneficial to grazers. Other birds that would frequent this plant community include western meadowlark, lark bunting, sage thrasher, horned larks, red-tail and ferruginous Hawks, and golden eagles.

**Rhizomatous Wheatgrass/Three-tip Sagebrush Plant Community:** The production of herbaceous species provided for good foraging to grazers. However, the lack of tall or mid growing shrubs does not benefit browsers nor provides cover for many wildlife species. As these site greens-up sooner in the spring, this site tends to provide early new growth for foraging large and small mammals. If located adjacent to shrub dominated sites, It provides good foraging habitat for sage grouse.

**Rhizomatous Wheatgrass/Bluegrass Plant Community:** The production of herbaceous species provided for good foraging for grazers. However, the lack of tall or mid growing shrubs does not benefit browsers nor provides cover for many wildlife species. As these site greens-up sooner in the spring, this site tends to provide early new growth for foraging large and small mammals. If located adjacent to shrub dominated sites, It provides good foraging habitat for sage grouse.

**Bluegrass/Annual Plant Community:** This community provides limited foraging for elk and other grazers. They may be used as a foraging site by sage grouse if proximal to woody cover. Generally, these are not target plant communities for wildlife habitat management.

#### Animal Community – Grazing Interpretations

The following table lists suggested stocking rates for cattle under continuous season-long grazing under normal growing conditions. These are conservative estimates that should be used only as guidelines in the initial stages of the conservation planning process. Often, the current plant composition does not entirely match any particular plant community (as described in this ecological site description). Because of this, a field visit is recommended, in all cases, to document plant composition and production. More precise carrying capacity estimates should eventually be calculated using this information along with animal preference data, particularly when grazers other than cattle are involved. Under more intensive grazing management, improved harvest efficiencies can result in an increased carrying capacity. If distribution problems occur, stocking rates must be reduced to maintain plant health and vigor.

#### Plant Community Production Carrying Capacity\*

(Lb./ac) (AUM/ac)

Bluebunch WG/Mixed Sagebrush 400-800 .2

Idaho Fescue/Mixed Sagebrush 350-750 .15

Mixed Shrub/Rhizomatous WG 300-700 .12

Mixed Shrub/Bluegrass 200-550 .1

Rhizomatous WG/Three-tip Sagebrush 350-750 .15

Rhizomatous WG/Bluegrass 250-600 .1

Bluegrass/Annual 100-500 .05

\* - Continuous, season-long grazing by cattle under average growing conditions.

Grazing by domestic livestock is one of the major income-producing industries in the area. Rangeland in this area

may provide forage for cattle, sheep, or horses. During the dormant period, the forage for livestock use needs to be supplemented with protein because the quality does not meet minimum livestock requirements.

## Hydrological functions

Climate is the principal factor limiting forage production on this site. This site is dominated by soils in hydrologic group D due to its shallow feature. Infiltration and runoff potential for this site varies from moderate to high depending on soil hydrologic group and water table. Runoff will be high on this site since the soil saturates easily and due to its shallow characteristic and water holding capacity. (Refer to Part 630, NRCS National Engineering Handbook for detailed hydraulic information.)

Rills and gullies should not typically be present. Water flow patterns should be barely distinguishable if at all present. Litter typically falls in place, and signs of movement are not common. Chemical and physical crusts are rare to non-existent. Cryptogamic crusts are present, but only cover 1-2% of the soil surface.

## Recreational uses

This site provides hunting opportunities for upland game species. The wide varieties of plants that bloom from spring until fall have an esthetic value that appeals to visitors. Other recreational uses may include hiking, and mountain biking.

## Wood products

No appreciable wood products are present on the site.

## Other products

None noted.

## Inventory data references

Information presented here has been derived from NRCS clipping data and other inventory data. Field observations from range trained personnel were also used. Those involved in developing this site include: Chris Krassin, Range Management Specialist, James Haverkamp, Range Management Specialist, Steven Gullion, Range Management Specialist, James Mischke, District Conservationist, and Everett Bainter, State Range Management Specialist. Other sources used as references include USDA NRCS Water and Climate Center, USDA NRCS National Range and Pasture Handbook, and USDA NRCS Soil Surveys from various counties.

## Contributors

J. Haverkamp

## Rangeland health reference sheet

Interpreting Indicators of Rangeland Health is a qualitative assessment protocol used to determine ecosystem condition based on benchmark characteristics described in the Reference Sheet. A suite of 17 (or more) indicators are typically considered in an assessment. The ecological site(s) representative of an assessment location must be known prior to applying the protocol and must be verified based on soils and climate. Current plant community cannot be used to identify the ecological site.

Author(s)/participant(s)	Ray Gullion, E. Bainter
Contact for lead author	ray.gullion@wy.usda.gov 307-347-2456
Date	05/01/2008
Approved by	E. Bainter
Approval date	

## Indicators

1. **Number and extent of rills:** Some rills to be expected on this site.

---
2. **Presence of water flow patterns:** Barely observable.

---
3. **Number and height of erosional pedestals or terracettes:** Slight pedestalling evident.

---
4. **Bare ground from Ecological Site Description or other studies (rock, litter, lichen, moss, plant canopy are not bare ground):** Bare ground can range from 20-50%.

---
5. **Number of gullies and erosion associated with gullies:** Active gullies, where present, should be rare.

---
6. **Extent of wind scoured, blowouts and/or depositional areas:** Rare to nonexistent.

---
7. **Amount of litter movement (describe size and distance expected to travel):** Herbaceous litter expected to move in moderate amounts. Large woody debris will show only slight movement down slope.

---
8. **Soil surface (top few mm) resistance to erosion (stability values are averages - most sites will show a range of values):** Soil Stability Index ratings range from 1 (interspaces) to 6 (under plant canopy), but average values should be 3.0 or greater.

---
9. **Soil surface structure and SOM content (include type of structure and A-horizon color and thickness):** Currently no soil series are correlated to this ecological site. Soil Organic Matter of less than 3% is expected.

---
10. **Effect of community phase composition (relative proportion of different functional groups) and spatial distribution on infiltration and runoff:** Plant community consists of 50-70% grasses, 10% forbs, and 20-40% shrubs. Sparse plant canopy (40-60%) and litter plus slow to moderate infiltration rates result in slight to moderate runoff. Basal cover is typically less than 10% and marginally affects runoff on this site. Surface rock outcrop of 10-30% provide stability to the site, but reduce infiltration. Runoff can be rapid on this site with a moderate to high erosion hazard associated with steep slopes.

---
11. **Presence and thickness of compaction layer (usually none; describe soil profile features which may be mistaken for compaction on this site):** None.

- 
12. **Functional/Structural Groups (list in order of descending dominance by above-ground annual-production or live foliar cover using symbols: >>, >, = to indicate much greater than, greater than, and equal to):**

Dominant: mid-size, cool season bunchgrasses>perennial shrubs>>perennial forbs=cool season rhizomatous grasses>short cool season bunchgrasses

Sub-dominant:

Other:

Additional:

---

13. **Amount of plant mortality and decadence (include which functional groups are expected to show mortality or decadence):** Minimal decadence, typically associated with shrub component.
- 

14. **Average percent litter cover (%) and depth ( in):** Litter ranges from 10-30% of total canopy measurement with total litter (including beneath the plant canopy) from 30-50% expected. Herbaceous litter depth typically ranges from 3-10mm. Woody litter can be up to several inches (>6 cm).
- 

15. **Expected annual annual-production (this is TOTAL above-ground annual-production, not just forage annual-production):** English: 400-800 lb/ac (600 lb/ac average); Metric 448-896 kg/ha (672 kg/ha average).
- 

16. **Potential invasive (including noxious) species (native and non-native). List species which BOTH characterize degraded states and have the potential to become a dominant or co-dominant species on the ecological site if their future establishment and growth is not actively controlled by management interventions. Species that become dominant for only one to several years (e.g., short-term response to drought or wildfire) are not invasive plants. Note that unlike other indicators, we are describing what is NOT expected in the reference state for the ecological site:** Bare ground greater than 75% is the most common indicator of a threshold being crossed. Bluegrasses, black sagebrush, and three-tip sagebrush are common increasers. Annual weeds such as cheatgrass and mustards are common invasive species in disturbed sites.
- 

17. **Perennial plant reproductive capability:** All species are capable of reproducing, except in extreme drought years.
-