

Ecological site R043BY322WY

Loamy (Ly) 15-19" Foothills and Mountains East Precipitation Zone

Last updated: 4/30/2024
Accessed: 05/08/2024

General information

Provisional. A provisional ecological site description has undergone quality control and quality assurance review. It contains a working state and transition model and enough information to identify the ecological site.

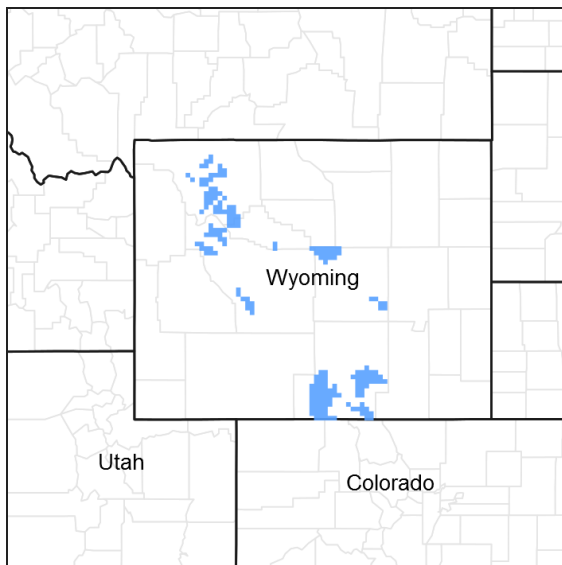


Figure 1. Mapped extent

Areas shown in blue indicate the maximum mapped extent of this ecological site. Other ecological sites likely occur within the highlighted areas. It is also possible for this ecological site to occur outside of highlighted areas if detailed soil survey has not been completed or recently updated.

Associated sites

R043BY308WY	Coarse Upland (CU) 15-19" Foothills and Mountains East Precipitation Zone Coarse Upland
R043BY330WY	Overflow (Ov) 15-19" Foothills and Mountains East Precipitation Zone Overflow
R043BY362WY	Shallow Loamy (SwLy) 15-19" Foothills and Mountains East Precipitation Zone Shallow Loamy
R043BY366WY	Shallow Sandy (SwSy) 15-19" Foothills and Mountains East Precipitation Zone Shallow Sandy

Similar sites

R032XY322WY	Loamy (Ly) 10-14" East Precipitation Zone Loamy 10-14" Foothills and Basins East P.Z., has lower production.
-------------	--

Table 1. Dominant plant species

Tree	Not specified
------	---------------

Shrub	Not specified
Herbaceous	Not specified

Physiographic features

This site typically occurs on gently undulating rolling land, but can occur on steeper gradual slopes.

Table 2. Representative physiographic features

Landforms	(1) Hill (2) Alluvial fan (3) Ridge
Flooding frequency	None
Ponding frequency	None
Elevation	1,829–2,743 m
Slope	0–30%
Ponding depth	0 cm
Aspect	Aspect is not a significant factor

Climatic features

Annual precipitation ranges from 15-19 inches per year. June is generally the wettest month. July, August, and September are somewhat less with daily amounts rarely exceeding one inch.

Snowfall is quite heavy in the area. Annual snowfall averages about 150 inches.

Because of the varied topography, the wind will vary considerably for different parts of the area. The wind is usually much lighter at the lower elevations and in the valleys as compared with the higher terrain. The average winter wind velocity is 8.5 mph while the summer wind velocity averages 7.5 mph. Winds during storms and on ridges may exceed 45 mph.

Growth of native cool-season plants begins about May 1 to May 15 and continues to about October 10.

The following information is from the “Crandall Creek” climate station, at the lower end of this precipitation zone:
 Minimum Maximum 5 yrs. out of 10 between
 Frost-free period (days): 16 80 July 8 – August 20
 Freeze-free period (days): 37 120 June 17 – September 5
 Mean Annual Precipitation (inches): 10.24 21.23

Mean annual precipitation: 14.90 inches

Mean annual air temperature: 38.16 F (21.88 F Avg. Min. to 54.66 F Avg. Max.)

For detailed information, visit the Natural Resources Conservation Service National Water and Climate Center at <http://www.wcc.nrcs.usda.gov/> website. There are no other climate station(s) known to be representative of this precipitation zone.

Table 3. Representative climatic features

Frost-free period (average)	80 days
Freeze-free period (average)	120 days
Precipitation total (average)	483 mm

Influencing water features

Stream type: None

Soil features

The soils of this site are deep to moderately deep (greater than 20" to bedrock), moderately well to well-drained & moderately slow to moderately permeable. The surface soil will vary from 3" to 6" in thickness depending on the texture and permeability of the subsoil. The soil characteristic having the most influence on the plant community is the available moisture and depth to a root restrictive barrier.

Table 4. Representative soil features

Surface texture	(1) Loam (2) Silt loam (3) Very fine sandy loam
Family particle size	(1) Loamy
Drainage class	Moderately well drained to well drained
Permeability class	Moderately slow to moderate
Soil depth	51–152 cm
Surface fragment cover <=3"	0%
Surface fragment cover >3"	0–10%
Available water capacity (0-101.6cm)	7.62–16 cm
Calcium carbonate equivalent (0-101.6cm)	0–10%
Electrical conductivity (0-101.6cm)	0–4 mmhos/cm
Sodium adsorption ratio (0-101.6cm)	0–5
Soil reaction (1:1 water) (0-101.6cm)	6.6–8.4
Subsurface fragment volume <=3" (Depth not specified)	0–15%
Subsurface fragment volume >3" (Depth not specified)	0–10%

Ecological dynamics

Ecological Dynamics of the Site:

Potential vegetation on this site is dominated by mid cool-season perennial grasses. Other significant vegetation includes big sagebrush, rubber rabbitbrush, and a variety of forbs. The expected potential composition for this site is about 75% grasses, 15% forbs and 10% woody plants. The composition and production will vary naturally due to historical use, fluctuating precipitation and fire frequency.

As this site deteriorates species such as big sagebrush, rubber rabbitbrush, and bluegrasses will increase. Cool season grasses such as Columbia needlegrass, spikefescue, and Idaho fescue will decrease in frequency and production. As conditions deteriorate further, annuals such as cheatgrass will invade.

Big sagebrush may become dominant on areas with an absence of fire and a sufficient amount of precipitation. Wildfires are actively controlled in recent times and as a result old decadent stands of big sagebrush persist. Chemical and mechanical controls have replaced the historic role of fire on this site. Recently, prescribed burning has regained some popularity.

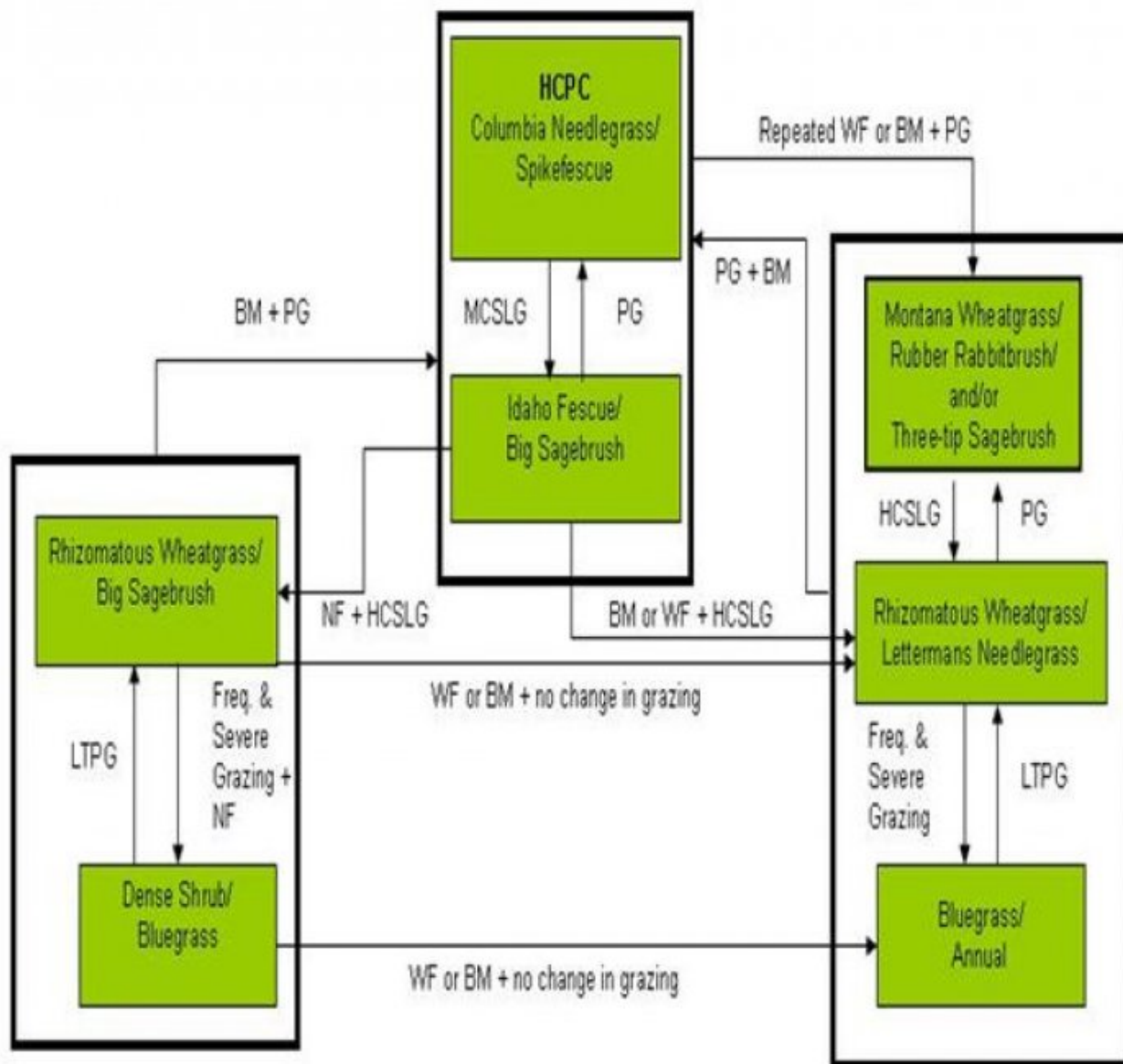
The big sagebrush component may not be as resilient once it has been removed or severely reduced, if a vigorous

stand of grass exists and is maintained. The exception to this is where the herbaceous component is severely degraded at the time of treatment, growing conditions are unfavorable after treatment, and/or recovery of herbaceous species are inadequate due to poor grazing management. Regeneration of big sagebrush may also be suppressed if three-tip sagebrush and rubber rabbitbrush are established. This situation is more likely to develop in areas where fires have occurred in a relatively short cycle. Three-tip sagebrush and rubber rabbitbrush are strong resprouters and will out compete other shrubs where a site is disturbed. Any thinning project should be designed in a way to maintain the viability of the stand and to consider wildlife requirements.

The Historic Climax Plant Community (description follows the plant community diagram) has been determined by study of rangeland relic areas, or areas protected from excessive disturbance. Trends in plant communities going from heavily grazed areas to lightly grazed areas, seasonal use pastures, and historical accounts have also been used.

The following is a State and Transition Model Diagram that illustrates the common plant communities (states) that can occur on the site and the transitions between these communities. The ecological processes will be discussed in more detail in the plant community narratives following the diagram.

State and transition model



- BM** – Brush Management (fire, chemical, mechanical)
- Freq. & Severe Grazing** – Frequent and Severe Utilization of the Cool-season Mid-grasses during the Growing Season
- GLMT** – Grazing Land Mechanical Treatment
- LTPG** – Long-term Prescribed Grazing
- MCSLG** – Moderate, Continuous Season-long Grazing
- HCSLG** – Heavy, Continuous Season-long Grazing
- NU, NF** – No Use and No Fire
- PG** – Prescribed Grazing (proper stocking rates with adequate recovery periods during the growing season)
- VLTPG** – Very Long-term Prescribed Grazing (could possibly take generations)
- Na** – Moderate Sodium in Soil
- WF** – Wildfire

State 1

Columbia Needlegrass/Spikefescue Plant Community

Community 1.1

Columbia Needlegrass/Spikefescue Plant Community

The interpretive plant community for this site is the Historic Climax Plant Community. This state evolved with grazing by large herbivores and periodic fires. Potential vegetation is about 75% grasses or grass-like plants, 15% forbs, and 10% woody plants. This plant community can be found on areas that are properly managed with grazing and/or prescribed burning, and on areas receiving periods of rest. The cyclical nature of the fire regime in this community prevents big sagebrush from being the dominant landscape. Cool season midgrasses dominate the site. The major grasses include Columbia needlegrass, spikefescue, Idaho fescue, and bluebunch wheatgrass. Big sagebrush is a conspicuous element of this site, occurs in a mosaic pattern, and makes up 5 to 10% of the annual production. Natural fire occurred in this community and prevented sagebrush from being the dominant landscape. A variety of forbs also occurs in this state and plant diversity is high (see Plant Composition Table). Annual production on this site ranges from 1100 to 1600 pounds depending on climatic conditions. This plant community is extremely stable and well adapted to the Central Rocky Mountains climatic conditions. The diversity in plant species allows for high drought tolerance. This is a sustainable plant community (site/soil stability, watershed function, and biologic integrity). Transitions or pathways leading to other plant communities are as follows: • Moderate, continuous season-long grazing will convert the plant community to the Idaho Fescue/Big Sagebrush Plant Community. • Repeated Wild Fire or Brush Management + Prescribed Grazing will convert the HCPC to the Montana Wheatgrass/Rubber Rabbitbrush and/or Three-tip Sagebrush Plant Community.

Figure 3. Plant community growth curve (percent production by month).
WY0601, 15-19E all upland sites.

Jan	Feb	Mar	Apr	May	Jun	Jul	Aug	Sep	Oct	Nov	Dec
			5	15	40	20	10	10			

State 2

Idaho Fescue/Big Sagebrush Plant Community

Community 2.1

Idaho Fescue/Big Sagebrush Plant Community

Historically, this plant community evolved under grazing by large ungulates and a low fire frequency. Currently, this site is normally found under a moderate, season-long grazing regime and will be exacerbated by prolonged drought conditions. In addition, the fire regime for this site has been modified and extended periods without fire is now common. Big sagebrush is an important component of this plant community. Cool-season grasses make up the majority of the understory with the balance made up of miscellaneous forbs. Dominant grasses include Idaho fescue and bluebunch wheatgrass and of less frequency Columbia needlegrass and spikefescue. Grasses of secondary importance include prairie junegrass, rhizomatous wheatgrasses, bluegrasses, and spike trisetum. Forbs commonly found in this plant community include agoseris, balsamroot, phlox, buckwheat, pussytoes, hawksbeard, paintbrush, and western yarrow. Sagebrush and rubber rabbitbrush make up to 20% of the total annual production. When compared to the Historical Climax Plant Community, big sagebrush, rubber rabbitbrush, rhizomatous wheatgrasses, and bluegrasses have increased. Columbia needlegrass and spikefescue have decreased, often occurring only where protected from grazing by the sagebrush canopy. Some weedy species such as cheatgrass and annual forbs may have invaded the site but are in small patches. This state produces between 1000 and 1500 pounds annually, depending on the growing conditions. This plant community is resistant to change. The herbaceous species present are well adapted to grazing; however, species composition can be altered through long-term overgrazing. The herbaceous component is mostly intact and plant vigor and replacement capabilities are sufficient. Water flow patterns and litter movement may be occurring but only on steeper slopes. Incidence of pedestalling is minimal. Soils are mostly stable and the surface shows minimum soil loss. The watershed is functioning and the biotic community is intact. Transitions or pathways leading to other plant communities are as follows: • Prescribed grazing will convert this plant community to the HCPC. The probability of this occurring is high especially if rotational grazing along with short deferred grazing is implemented as part of the prescribed method of use. In addition, the removal of fire suppression will allow a somewhat natural fire regime to reoccur to more easily

transition between this plant community and the HCPC. A prescribed fire treatment can be useful to hasten this transition if desired. • Heavy, continuous, season-long grazing plus no fires will convert the plant community to the Rhizomatous Wheatgrass/ Big Sagebrush Plant Community. The probability of this occurring is high. This is especially evident on areas where drought or heavy browsing does not adversely impact the shrub stand. • Heavy, continuous, season-long grazing plus wildfire or brush management, will convert the plant community to a Rhizomatous Wheatgrass/Lettermans Needlegrass Plant Community. The probability for this is high, especially on areas where the shrubs have been heavily browsed or removed by natural or human causes. Drought can also exacerbate this transition. • Repeated Wild Fire or Brush Management plus Prescribed Grazing will convert the this plant community to the Montana Wheatgrass/Rubber Rabbitbrush and/or Three-tip Sagebrush Plant Community.

Figure 4. Plant community growth curve (percent production by month). WY0601, 15-19E all upland sites.

Jan	Feb	Mar	Apr	May	Jun	Jul	Aug	Sep	Oct	Nov	Dec
			5	15	40	20	10	10			

State 3 Rhizomatous Wheatgrass/Big Sagebrush Plant Community

Community 3.1 Rhizomatous Wheatgrass/Big Sagebrush Plant Community

This plant community currently is found under heavy continuous season-long grazing by livestock and protection from fire. Big sagebrush is a significant component of this plant community although rubber rabbitbrush may be as abundant. Cool-season grasses make up the majority of the understory, but some of the preferred grasses have been reduced or are absent. Dominant grasses include rhizomatous wheatgrasses, Lettermans needlegrass, bluegrasses, and of less frequency Columbia needlegrass, spikefescue, Idaho fescue and bluebunch wheatgrass. Grasses of secondary importance include prairie junegrass, slender wheatgrass, spike trisetum and native bromes. Forbs commonly found in this plant community include balsamroot, hawksbeard, paintbrush, groundsel, buckwheat, phlox, lupine, larkspur, sneezeweed, pussytoes, and American vetch. Big Sagebrush and rubber rabbitbrush can make up to 30% of the total annual production. When compared to the Historic Climax Plant Community, big sagebrush, rubber rabbitbrush, bluegrasses, Lettermans needlegrass, and rhizomatous wheatgrasses have increased. Most of the preferred grasses have been reduced and some are absent. Some annuals, such as cheatgrass, as well as noxious weeds such as leafy spurge have invaded the site, but are not yet abundant. Annual production ranges from 800 to 1300 pounds. This plant community is resistant to change as the shrubs become more abundant. These areas may actually be more resistant to fire as less fine fuels are available and the bare ground between the shrubs is increased. The herbaceous component is not as diverse and plant vigor and species regeneration capabilities of some cool-season perennials are deficient. The removal of grazing does not seem to affect the plant composition or structure of the plant community. Soil erosion is accelerated because of increased bare ground. Water flow patterns and pedestalling is more noticeable. Infiltration is reduced and runoff is increased. Rill channels may be noticeable in the interspaces on steeper areas and gullies may be establishing where rills have concentrated down slope. Transitions or pathways leading to other plant communities are as follows: • Prescribed grazing plus brush management will convert this plant community to near HCPC. If prescribed fire is used as a means to reduce or remove the shrubs, sufficient fine fuels will need to be present. This may require deferment from grazing prior to treatment. Post management is critical to ensure success. This can range from two or more years of rest to partial growing season deferment, depending on the condition of the understory at the time of treatment and the growing conditions following treatment. Seeding will be required regardless of the brush treatment to reestablish the major cool-season grasses. • Frequent and severe grazing plus no fires will convert the plant community to the Dense Shrub/Bluegrass Plant Community. The probability of this occurring is high and is especially evident on areas where drought or heavy browsing does not adversely impact the shrub stand. • Brush management or Wildfire with no change in grazing management will convert this plant community to the Rhizomatous Wheatgrass/Lettermans Needlegrass Plant Community.

Figure 5. Plant community growth curve (percent production by month). WY0601, 15-19E all upland sites.

Jan	Feb	Mar	Apr	May	Jun	Jul	Aug	Sep	Oct	Nov	Dec
			5	15	40	20	10	10			

State 4 Dense Shrub/Bluegrass Plant Community

Community 4.1 Dense Shrub/Bluegrass Plant Community

This plant community is the result of frequent and severe grazing and protection from fire. Big sagebrush and rubber rabbitbrush are the dominant shrubs of this plant community as the annual production will exceed 30%. Preferred cool season grasses have been eliminated or greatly reduced. The interspaces between plants have expanded leaving the amount of bare ground more prevalent and more soil surface exposed to erosive elements. Bluegrasses such as Sandberg, mutton, big, and Canby dominate the understory. Weedy annual species such as cheatgrass, kochia, Russian thistle, and a variety of mustards may occupy the site. Noxious weeds such as Canada thistle and leafy spurge may invade the site if a seed source is available. When compared with the HCPC the annual production is less, as the major cool-season grasses are reduced, but the shrub production has increased significantly and compensates for some of the decline in the herbaceous production. Annual production ranges from 700 to 1000 pounds. This plant community is resistant to change as the stand becomes more decadent. These areas may actually be more resistant to fire as less fine fuels are available and the bare ground between the shrubs is increased. The herbaceous component is not as diverse and plant vigor and species regeneration capabilities of cool-season perennials are deficient. The removal of grazing does not seem to affect the plant composition or structure of the plant community. Soil erosion is accelerated because of increased bare ground. Water flow patterns and pedestalling are obvious. Infiltration is reduced and runoff is increased. Rill channels may be noticeable in the interspaces and gullies may be establishing where rills have concentrated down slope. Transitions or pathways leading to other plant communities are as follows:

- Prescribed grazing plus brush management will convert this plant community to near HCPC. If prescribed fire is used as a means to reduce or remove the shrubs, sufficient fine fuels will need to be present. This may require deferment from grazing prior to treatment. Post management is critical to ensure success. This can range from two or more years of rest to partial growing season deferment, depending on the condition of the understory at the time of treatment and the growing conditions following treatment. Seeding will be required regardless of the brush treatment to reestablish the major cool-season grasses.
- Long-term prescribed grazing will convert this plant community to the Rhizomatous Wheatgrass/Big Sagebrush Plant Community.
- Brush management or Wildfire with no change in grazing management will convert this plant community to the Bluegrass/Annual Plant Community.

Figure 6. Plant community growth curve (percent production by month).
WY0601, 15-19E all upland sites.

Jan	Feb	Mar	Apr	May	Jun	Jul	Aug	Sep	Oct	Nov	Dec
			5	15	40	20	10	10			

State 5 Montana Wheatgrass/Rubber Rabbitbrush and/or Three-tip Sagebrush Plant Community

Community 5.1 Montana Wheatgrass/Rubber Rabbitbrush and/or Three-tip Sagebrush Plant Community

This plant community currently is found under prescribed grazing or possibly no use by livestock and is perpetuated by a fire cycle that maintains the removal of big sagebrush. Rubber rabbitbrush and three-tip sagebrush are significant components of this plant community. Cool-season grasses remain an important component, but some bunchgrasses are not as abundant. Dominant grasses include Montana wheatgrass, Lettermans needlegrass, and rhizomatous wheatgrasses, and of less frequency Columbia needlegrass, Idaho fescue, bluebunch wheatgrass, and spikefescue. Grasses of secondary importance include prairie junegrass, slender wheatgrass, spike trisetum, and bluegrasses. Forbs commonly found in this plant community include balsamroot, paintbrush, phlox, groundsel, penstemon, larkspur, lupine, pussytoes, hawksbeard, and American vetch. Rubber rabbitbrush and/or three-tip sagebrush can comprise as much as 25% of the total production. When compared to the Historical Climax Plant Community, Montana wheatgrass, rhizomatous wheatgrasses, three-tip sagebrush and rubber rabbitbrush have increased. Columbia needlegrass, bluebunch wheatgrass, spikefescue, and Idaho fescue have decreased. Production of cool-season grasses has remained about the same. Cheatgrass can be common and in large patches, but mostly invaded areas are relatively small. Annual production ranges from 1000 to 1500 pounds. This

plant community is resistant to change as once three-tip sagebrush and rubber rabbitbrush become the dominant shrubs it is difficult for other shrubs to become established. The herbaceous species present are well adapted to grazing; however, species composition can be altered through long-term overgrazing. The herbaceous component is mostly intact and plant vigor and replacement capabilities are sufficient. Water flow patterns and litter movement may be occurring but only on steeper slopes. Incidence of pedestalling is minimal. Soils are mostly stable and the surface shows minimum soil loss. The watershed is functioning and the biotic community is intact. Transitions or pathways leading to other plant communities are as follows: • Prescribed grazing and brush management will convert this plant community to the HCPC. Controlling three-tip sagebrush and rubber rabbitbrush is difficult as both are strong resprouters. Reestablishing the big sagebrush stand may be difficult and may take many years. • Heavy, continuous, season-long grazing will convert this plant community to a Rhizomatous Wheatgrass/Lettermans Needlegrass Plant Community. More than likely, three-tip sage and rubber rabbitbrush will persist in varying degrees, as both are strong resprouters and difficult to control.

Figure 7. Plant community growth curve (percent production by month). WY0601, 15-19E all upland sites.

Jan	Feb	Mar	Apr	May	Jun	Jul	Aug	Sep	Oct	Nov	Dec
			5	15	40	20	10	10			

State 6

Rhizomatous Wheatgrass/Letterman's Needlegrass Plant Community

Community 6.1

Rhizomatous Wheatgrass/Letterman's Needlegrass Plant Community

This plant community currently is found under heavy continuous season-long grazing by livestock and is perpetuated by either brush management or a wildfire, which removes big sagebrush from this plant community. Three-tip sagebrush and/or rubber rabbitbrush can be significant components of this plant community, but also may be lacking. Some of the major cool-season bunchgrasses have been reduced and some may have been removed. Dominant grasses include rhizomatous wheatgrasses, Lettermans needlegrass, bluegrasses, prairie junegrass, spike trisetum, and Montana wheatgrass, and of less frequency Columbia needlegrass, Idaho fescue, bluebunch wheatgrass, and spikefescue. Forbs commonly found in this plant community include phlox, groundsel, balsamroot, paintbrush, larkspur, lupine, pussytoes, hawksbeard, and American vetch. Three-tip sagebrush and/or rubber rabbitbrush can comprise as much as 25% of the total production. When compared to the Historical Climax Plant Community, rhizomatous wheatgrass, prairie junegrass, Montana wheatgrass, three-tip sagebrush and rubber rabbitbrush have increased. Columbia needlegrass, bluebunch wheatgrass, Idaho fescue, and big sagebrush have decreased or been removed. Production of the preferred cool-season grasses has been reduced. Cheatgrass can be common and in large patches, but mostly invaded areas are relatively small. Annual production ranges from 700 to 1000 pounds. This plant community is resistant to change as the herbaceous species present are well adapted to grazing and if three-tip and rubber rabbitbrush become the dominant shrubs it is difficult for other shrubs to become established. However, species composition can be altered through long-term overgrazing. The herbaceous component is mostly intact, but some cool-season bunchgrasses associated with the site have been reduced or removed. Plant vigor and replacement capabilities are sufficient for some species but not all. Water flow patterns and litter movement is occurring but only on steeper slopes. Incidence of pedestalling is moderate to slight. Soils are mostly stable and the surface shows minimum soil loss. The watershed is functioning and the biotic community is partially intact. Transitions or pathways leading to other plant communities are as follows: • Prescribed grazing plus brush management will convert this plant community to near HCPC. Controlling three-tip sagebrush and rubber rabbitbrush, if present, is difficult as these are strong resprouters. Reestablishing big sagebrush may be difficult and may take many years. Seeding may be required to reestablish any of the lost major bunchgrasses. • Prescribed grazing will convert this plant community to the Montana Wheatgrass/Rubber Rabbitbrush and/or Three-tip Sagebrush Plant Community. • Frequent and severe grazing will convert this plant community to a Bluegrass/Annual Plant Community. If three-tip sage and rubber rabbitbrush are present more than likely, they will persist in varying degrees as both are difficult to control.

Figure 8. Plant community growth curve (percent production by month). WY0601, 15-19E all upland sites.

Jan	Feb	Mar	Apr	May	Jun	Jul	Aug	Sep	Oct	Nov	Dec
			5	15	40	20	10	10			

State 7

Bluegrass/Annual Plant Community

Community 7.1

Bluegrass/Annual Plant Community

This plant community evolved under frequent and severe heavy grazing and the big sagebrush shrub component has been removed by heavy browsing, wildfire or human means. Weedy annuals and bluegrasses are the most dominant plants and occupy any open bare ground area. Three-tip sagebrush and rubber rabbitbrush may or may not be present. However, it is common for these shrubs to occur as both are strong resprouters and may quickly re-establish the site after a disturbance. Compared to the HCPC, weedy annual species and bluegrasses are widespread and virtually all of the major cool-season mid-grasses are absent or severely decreased. Big sagebrush has also been removed. Weedy annuals may include cheatgrass, kochia, Russian thistle, and a variety of mustards. Bluegrass species will include Sandberg, mutton, Canby, and big. Noxious weeds such as Canada thistle and leafy spurge may invade the site if a seed source is available. The interspaces between plants have expanded leaving the amount of bare ground more prevalent and more soil surface exposed to erosive elements. Annual production ranges from 350 to 650 pounds. This plant community is relatively stable and resistant to overgrazing. Annuals and bluegrasses are effectively competing against the establishment of perennial cool-season grasses. Plant diversity is greatly altered and the herbaceous component is not intact. Recruitment of the major perennial grasses is not occurring and the replacement potential is absent. The biotic integrity is missing. The soils are unstable and not protected from excessive erosion. Rill channels and maybe even gullies may be present on site and adjacent areas are impacted by excessive runoff. Water flow patterns and pedestalling are obvious. The watershed is not functioning. Transitions or pathways leading to other plant communities are as follows: • Prescribed grazing plus brush management may convert this plant community to near HCPC, although it will require major investment and time. Controlling three-tip sagebrush and rubber rabbitbrush, if present, is difficult as both are strong resprouters. Reestablishing the big sagebrush stand may be difficult and may take many years. Seeding will be required to reestablish any of the lost major bunchgrasses. • Prescribed grazing will convert this plant community to the Rhizomatous Wheatgrass/Lettermans Needlegrass Plant Community.

Figure 9. Plant community growth curve (percent production by month). WY0601, 15-19E all upland sites.

Jan	Feb	Mar	Apr	May	Jun	Jul	Aug	Sep	Oct	Nov	Dec
			5	15	40	20	10	10			

Additional community tables

Table 5. Community 1.1 plant community composition

Group	Common Name	Symbol	Scientific Name	Annual Production (Kg/Hectare)	Foliar Cover (%)
Grass/Grasslike					
1				151–379	
	Columbia needlegrass	ACNE9	<i>Achnatherum nelsonii</i>	151–379	–
2				151–379	
	spike fescue	LEKI2	<i>Leucopoa kingii</i>	151–379	–
3				151–379	
	Idaho fescue	FEID	<i>Festuca idahoensis</i>	151–379	–
4				76–228	
	bluebunch wheatgrass	PSSP6	<i>Pseudoroegneria spicata</i>	76–228	–

5				151-379	
	Grass, perennial	2GP	<i>Grass, perennial</i>	0-76	-
	Letterman's needlegrass	ACLE9	<i>Achnatherum lettermanii</i>	0-76	-
	nodding brome	BRAN	<i>Bromus anomalus</i>	0-76	-
	Pumpelly's brome	BRINP5	<i>Bromus inermis</i> ssp. <i>pumpellianus</i> var. <i>pumpellianus</i>	0-76	-
	mountain brome	BRMA4	<i>Bromus marginatus</i>	0-76	-
	sedge	CAREX	<i>Carex</i>	0-76	-
	California oatgrass	DACA3	<i>Danthonia californica</i>	0-76	-
	onespike danthonia	DAUN	<i>Danthonia unispicata</i>	0-76	-
	Montana wheatgrass	ELAL7	<i>Elymus albicans</i>	0-76	-
	slender wheatgrass	ELTR7	<i>Elymus trachycaulus</i>	0-76	-
	needle and thread	HECO26	<i>Hesperostipa comata</i>	0-76	-
	prairie Junegrass	KOMA	<i>Koeleria macrantha</i>	0-76	-
	western wheatgrass	PASM	<i>Pascopyrum smithii</i>	0-76	-
	muttongrass	POFE	<i>Poa fendleriana</i>	0-76	-
	Sandberg bluegrass	POSE	<i>Poa secunda</i>	0-76	-
	spike trisetum	TRSP2	<i>Trisetum spicatum</i>	0-76	-

Forb

6				76-228	
	Forb, perennial	2FP	<i>Forb, perennial</i>	0-76	-
	yarrow	ACHIL	<i>Achillea</i>	0-76	-
	agoseris	AGOSE	<i>Agoseris</i>	0-76	-
	pussytoes	ANTEN	<i>Antennaria</i>	0-76	-
	milkvetch	ASTRA	<i>Astragalus</i>	0-76	-
	balsamroot	BALSA	<i>Balsamorhiza</i>	0-76	-
	corn gromwell	BUAR3	<i>Buglossoides arvensis</i>	0-76	-
	Indian paintbrush	CASTI2	<i>Castilleja</i>	0-76	-
	field chickweed	CEAR4	<i>Cerastium arvense</i>	0-76	-
	tapertip hawksbeard	CRAC2	<i>Crepis acuminata</i>	0-76	-
	buckwheat	ERIOG	<i>Eriogonum</i>	0-76	-
	green gentian	FRASE	<i>Frasera</i>	0-76	-
	common sneezeweed	HEAU	<i>Helenium autumnale</i>	0-76	-
	flax	LINUM	<i>Linum</i>	0-76	-
	wild bergamot	MOFI	<i>Monarda fistulosa</i>	0-76	-
	lousewort	PEDIC	<i>Pedicularis</i>	0-76	-
	beardtongue	PENST	<i>Penstemon</i>	0-76	-
	phlox	PHLOX	<i>Phlox</i>	0-76	-
	silky phacelia	PHSE	<i>Phacelia sericea</i>	0-76	-
	American vetch	VIAM	<i>Vicia americana</i>	0-76	-
	mule-ears	WYETH	<i>Wyethia</i>	0-76	-

Shrub/Vine

7				0-151	
	big sagebrush	ARTR2	<i>Artemisia tridentata</i>	0-151	-
8				0-76	
	rubber rabbitbrush	ERNA10	<i>Ericameria nauseosa</i>	0-76	-
9				0-76	
	Shrub (>.5m)	2SHRUB	<i>Shrub (>.5m)</i>	0-76	-

Animal community

Animal Community – Wildlife Interpretations

Columbia Needlegrass/Spikefescue Plant Community (HCPC): The predominance of grasses in this plant community favors grazers and mixed-feeders, such as deer, bison, elk, and antelope. Suitable thermal and escape cover for deer may be limited due to the low quantities of woody plants. However, topographical variations could provide some escape cover. Due to the location of these sites on the foot slopes of mountains they are valuable for elk and deer winter ranges. When found adjacent to sagebrush dominated states, this plant community may provide brood rearing/foraging areas for sage grouse, as well as lek sites. Other birds that would frequent this plant community include western meadowlark, lark bunting, sage thrasher, horned larks, red-tail and ferruginous hawks, and golden eagles. Many grassland obligate small mammals would occur here.

Idaho Fescue/Big Sagebrush Plant Community: The combination of an overstory of big sagebrush and an understory of grasses and forbs provides a very diverse plant community for wildlife. The crowns of sagebrush tend to break up hard crusted snow on winter ranges, so mule deer, elk, and antelope may use this state for foraging and cover year-round, as would cottontail and jack rabbits. It provides important winter, nesting, brood-rearing, and foraging habitat for sage grouse. Brewer's sparrows' nest in big sagebrush plants and hosts of other nesting birds utilize stands in the 20-30% cover range. Other birds that would frequent this plant community include western meadowlark, lark bunting, sage thrasher, horned larks, red-tail and ferruginous hawks, and golden eagles.

Rhizomatous Wheatgrass/Big Sagebrush Plant Community: The combination of an overstory of big sagebrush and an understory of grasses and forbs provides a very diverse plant community for wildlife. The crowns of sagebrush tend to break up hard crusted snow on winter ranges, so mule deer, elk, and antelope may use this state for foraging and cover year-round, as would cottontail and jack rabbits. It provides important winter, nesting, brood-rearing, and foraging habitat for sage grouse. Brewer's sparrows' nest in big sagebrush plants and hosts of other nesting birds utilize stands in the 20-30% cover range. Other birds that would frequent this plant community include western meadowlark, lark bunting, sage thrasher, horned larks, red-tail and ferruginous hawks, and golden eagles.

Dense Shrub/Bluegrass Plant Community: This plant community can provide important winter foraging for elk, mule deer and antelope, as sagebrush can approach 15% protein and 40-60% digestibility during that time. This community provides escape and thermal cover for large ungulates, as well as nesting and brood rearing habitat for sage grouse. Other birds that would frequent this plant community include western meadowlark, lark bunting, sage thrasher, horned larks, red-tail and ferruginous hawks, and golden eagles.

Due to the lack of herbaceous production and diversity of mid cool season grasses on this site, it is not as beneficial to grazers.

Montana Wheatgrass/Rubber Rabbitbrush and/or Three-tip Sagebrush Plant Community: The production of herbaceous species provided for good foraging to grazers. However, the lack of tall or mid growing shrubs does not benefit browsers nor provides cover for many wildlife species. As these site greens-up sooner in the spring, this site tends to provide early new growth for foraging large and small mammals. If located adjacent to shrub dominated sites, It provides good foraging habitat for sage grouse. Other birds that would frequent this plant community include western meadowlark, lark bunting, sage thrasher, horned larks, red-tail and ferruginous hawks, and golden eagles.

Rhizomatous Wheatgrass/Lettermans Needlegrass Plant Community: The production of herbaceous species provided for good foraging for grazers. However, the lack of tall or mid growing shrubs does not benefit browsers nor provides cover for many wildlife species. As these site greens-up sooner in the spring, this site tends to provide early new growth for foraging large and small mammals. If located adjacent to shrub dominated sites, It provides good foraging habitat for sage grouse.

Bluegrass/Annual Plant Community: This community provides limited foraging for elk and other grazers. They may be used as a foraging site by sage grouse if proximal to woody cover. Generally, these are not target plant communities for wildlife habitat management.

Animal Community – Grazing Interpretations

The following table lists suggested stocking rates for cattle under continuous season-long grazing under normal growing conditions. These are conservative estimates that should be used only as guidelines in the initial stages of the conservation planning process. Often, the current plant composition does not entirely match any particular plant community (as described in this ecological site description). Because of this, a field visit is recommended, in all cases, to document plant composition and production. More precise carrying capacity estimates should eventually be calculated using this information along with animal preference data, particularly when grazers other than cattle are involved. Under more intensive grazing management, improved harvest efficiencies can result in an increased carrying capacity. If distribution problems occur, stocking rates must be reduced to maintain plant health and vigor.

Plant Community Production Carrying Capacity* (lb./ac) (AUM/ac)

Columbia Needlegrass/Spikefescue	1100-1600	.6
Idaho Fescue/Big Sagebrush	1000-1500	.5
Rhizomatous WG/Big Sagebrush	800-1300	.4
Dense Shrub/Bluegrass	700-1000	.3
Montana WG/R. Rabbitbrush/Three-tip Sagebrush	1000-1500	.5
Rhizomatous WG/Lettermans Needlegrass	700-1000	.3
Bluegrass/Annual	350-650	.2

* - Continuous, season-long grazing by cattle under average growing conditions.

Grazing by domestic livestock is one of the major income-producing industries in the area. Rangeland in this area may provide seasonal forage for cattle, sheep, or horses. During the dormant period, the forage for livestock use needs to be supplemented with protein because the quality does not meet minimum livestock requirements.

Hydrological functions

Water is the principal factor limiting forage production on this site. This site is dominated by soils in hydrologic group C, with localized areas in hydrologic group B and D. Infiltration ranges from moderately slow to moderate. Runoff potential for this site varies from low to moderate depending on soil hydrologic group and ground cover. In many cases, areas with greater than 75% ground cover have the greatest potential for high infiltration and lower runoff. An example of an exception would be where short-grasses form a strong sod and dominate the site. Areas where ground cover is less than 50% have the greatest potential to have reduced infiltration and higher runoff (refer to Part 630, NRCS National Engineering Handbook for detailed hydrology information).

Rills and gullies should not typically be present. Water flow patterns should be barely distinguishable if at all present. Pedestals are only slightly present in association with bunchgrasses. Litter typically falls in place, and signs of movement are not common. Chemical and physical crusts are rare to non-existent. Cryptogamic crusts are present, but only cover 1-2% of the soil surface.

Recreational uses

This site provides hunting opportunities for upland game species. The wide varieties of plants that bloom from spring until fall have an esthetic value that appeals to visitors. Other recreational uses may include hiking, camping, mountain biking, and in the winter snowshoeing and cross-country skiing.

Wood products

No appreciable wood products are present on the site.

Other products

None noted.

Inventory data references

Information presented here has been derived from NRCS clipping data and other inventory data. Field observations from range trained personnel were also used. Those involved in developing this site include: Chris Krassin, Range Management Specialist, James Haverkamp, Range Management Specialist, Steven Gullion, Range Management Specialist, James Mischke, District Conservationist, and Everet Bainter, State Range Management Specialist. Other sources used as references include USDA NRCS Water and Climate Center, USDA NRCS National Range and Pasture Handbook, and USDA NRCS Soil Surveys from various counties.

Contributors

J. Haverkamp

Approval

Kirt Walstad, 4/30/2024

Rangeland health reference sheet

Interpreting Indicators of Rangeland Health is a qualitative assessment protocol used to determine ecosystem condition based on benchmark characteristics described in the Reference Sheet. A suite of 17 (or more) indicators are typically considered in an assessment. The ecological site(s) representative of an assessment location must be known prior to applying the protocol and must be verified based on soils and climate. Current plant community cannot be used to identify the ecological site.

Author(s)/participant(s)	Ray Gullion, E. Bainter
Contact for lead author	ray.gullion@wy.usda.gov 307-347-2456
Date	05/01/2008
Approved by	Kirt Walstad
Approval date	
Composition (Indicators 10 and 12) based on	Annual Production

Indicators

1. **Number and extent of rills:** Rare to nonexistent. Where present, short and widely spaced.
-

2. **Presence of water flow patterns:** Barely observable.
-

3. **Number and height of erosional pedestals or terracettes:** Rare to nonexistent.
-

4. **Bare ground from Ecological Site Description or other studies (rock, litter, lichen, moss, plant canopy are not bare ground):** Bare ground can range from 0-20%.
-

5. **Number of gullies and erosion associated with gullies:** Active gullies should not be present.

6. **Extent of wind scoured, blowouts and/or depositional areas:** Rare to nonexistent.

7. **Amount of litter movement (describe size and distance expected to travel):** Herbaceous and large woody litter not expected to move.

8. **Soil surface (top few mm) resistance to erosion (stability values are averages - most sites will show a range of values):** Soil Stability Index ratings range from 3 (interspaces) to 6 (under plant canopy), but average values should be 4.0 or greater.

9. **Soil surface structure and SOM content (include type of structure and A-horizon color and thickness):** Soil data is limited for this site. Described A-horizons vary from 6-23 inches (15-58 cm) with OM of 2 to 5%.

10. **Effect of community phase composition (relative proportion of different functional groups) and spatial distribution on infiltration and runoff:** Plant community consists of 70-80% grasses, 15% forbs, and 5-15% shrubs. Evenly distributed plant canopy (60-95%) and litter plus moderate infiltration rates result in minimal runoff. Basal cover is typically 5-15% for this site and does affect runoff on this site.

11. **Presence and thickness of compaction layer (usually none; describe soil profile features which may be mistaken for compaction on this site):** None.

12. **Functional/Structural Groups (list in order of descending dominance by above-ground annual-production or live foliar cover using symbols: >>, >, = to indicate much greater than, greater than, and equal to):**

Dominant: Mid-size, cool season bunchgrasses>> perennial shrubs=perennial forbs>tall, cool season bunchgrasses>cool season rhizomatous grasses=short cool season bunchgrasses

Sub-dominant:

Other:

Additional:

13. **Amount of plant mortality and decadence (include which functional groups are expected to show mortality or decadence):** Minimal decadence, typically associated with shrub component.

14. **Average percent litter cover (%) and depth (in):** Litter ranges from 5-40% of total canopy measurement with total litter (including beneath the plant canopy) from 50-90% expected. Herbaceous litter depth typically ranges from 5-15mm. Woody litter can be up to a couple inches (4-6 cm).

15. **Expected annual annual-production (this is TOTAL above-ground annual-production, not just forage annual-production):** English: 1100-1600 lb/ac (1350 lb/ac average); Metric 1232-1792 kg/ha (1512 kg/ha average).

16. **Potential invasive (including noxious) species (native and non-native). List species which BOTH characterize degraded states and have the potential to become a dominant or co-dominant species on the ecological site if their future establishment and growth is not actively controlled by management interventions. Species that become dominant for only one to several years (e.g., short-term response to drought or wildfire) are not invasive plants. Note that unlike other indicators, we are describing what is NOT expected in the reference state for the ecological site:** Bare ground greater than 30% is the most common indicator of a threshold being crossed. Big sagebrush, rubber rabbitbrush, and bluegrasses are common increasers. Kentucky bluegrass, common dandelion, thistles, and annual weeds such as kochia and mustards are common invasive species in disturbed sites.

17. **Perennial plant reproductive capability:** All species are capable of reproducing, except in extreme drought years.
