

Ecological site R106XY070NE Loamy Terrace

Last updated: 9/16/2019
Accessed: 05/03/2024

General information

Provisional. A provisional ecological site description has undergone quality control and quality assurance review. It contains a working state and transition model and enough information to identify the ecological site.

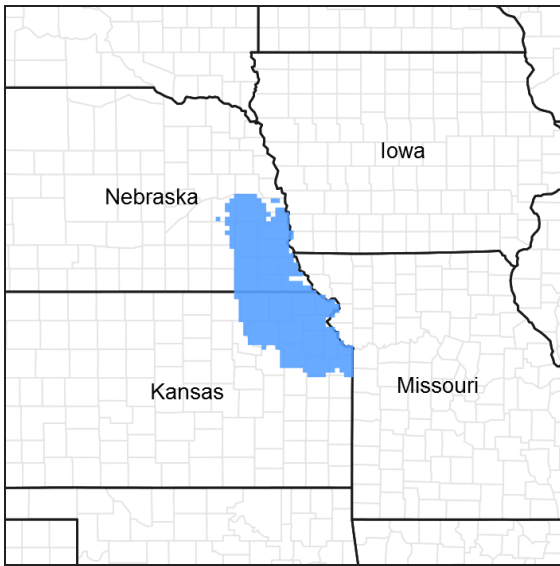


Figure 1. Mapped extent

Areas shown in blue indicate the maximum mapped extent of this ecological site. Other ecological sites likely occur within the highlighted areas. It is also possible for this ecological site to occur outside of highlighted areas if detailed soil survey has not been completed or recently updated.

MLRA notes

Major Land Resource Area (MLRA): 106X–Nebraska and Kansas Loess-Drift Hills

Named the “Nebraska and Kansas Loess-Drift Hills,” Major Land Resource Area (MLRA) 106 is divided almost evenly between southeastern Nebraska (52%), and northeastern Kansas, (48%). The northern border is located on the north end of Saunders County, Nebraska, and the MLRA stretches into Douglas County, Kansas in the south. The Nebraska cities of Beatrice and Lincoln are the major population centers in the north, while Topeka and Lawrence in Kansas are the primary cities in the south. The approximately seven million-acre landscape covers all or parts of 30 counties between the two states. This dissected glacial drift plain primarily consists of broad, smooth ridgetops, and slopes ranging from nearly level to steep. The elevation in MLRA 106 decreases from west to east, and ranges from nearly 1,650 feet to less than 790 feet above sea level. Stream valleys in this landscape are narrow and bordered by steep hills, with 10 to 20 feet of local relief. The river valleys are broader, and may drop up to over 160 feet below the adjacent hilltops. The Platte, Little Nemaha, and the North Fork of the Big Nemaha Rivers flow through the Nebraska side of the MLRA, while the Black Vermillion, the Soldier, and the Delaware Rivers are the major waterways on the Kansas side. The Big Blue River runs through both states, while The Salt Creek hydrologic system located near Lincoln, Nebraska provides habitat for the only known population of the Federally-listed endangered Tiger Salt Beetle.

The uplands are primarily comprised of glacial drift underlying a mantle of loess, while alluvial deposits are found in the stream and river valleys. Limestone and shale quarries are also located in MLRA 106. The predominant soil orders in this MLRA are mesic, udic, Mollisols, Alfisols, and Entisols. Loams and clays are the primary soil textures

in this landscape.

Sixty-two percent of the land in this MLRA has been broken out of native prairie and farmed, while only 23 percent of the grasslands remain intact. Livestock grazing, primarily by cattle, is the main industry on these remnants. Corn, wheat, soybeans, and grain sorghum are the primary commodity crops, but a significant number of acres are also planted to alfalfa for harvest as hay.

With annual precipitation averaging from 40 inches in the southeast, to 28 inches in the northwest, irrigation for crop production is not a critical factor in most years.

The historical matrix vegetation type is Tallgrass Prairie, and big and little bluestem, switchgrass, Indiangrass, sideoats, and blue grama make up the bulk of the warm-season species; western wheatgrass is the dominant cool-season grass in the north, tall fescue is in the south. Large- and small-patch vegetative communities are found primarily along the riparian zones, and on both upland and lowland saline sites. Woodlands make up about six percent of MLRA 106, consisting primarily of green ash, oak, hackberry, boxelder, and maple trees.

Wildlife flourishes in this combination of crop and grassland environments. In a landscape historically occupied by bison herds, white-tailed deer are now the most abundant wild ungulates. A variety of smaller species, including coyote, raccoon, opossum, porcupines, muskrat, beaver, squirrel, and mink thrive in the region, as do several upland bird species. Native grassland bird populations are somewhat limited by the lack of contiguous native prairie and the fragmented habitat created by the farmland.

The rivers, streams, and lakes harbor excellent fisheries, and migrating and local waterfowl use the wetland complexes. These complexes provide ideal habitat for a number of wading and shore bird species as well. This landscape serves as a backdrop for a disturbance-driven ecosystem, evolving under the influences of herbivory, fire, and variable climate. Historically, these processes created a heterogeneous mosaic of plant communities and structure heights across the region. Any given site in this landscape experienced fire every three to four years. The fires were caused by lightning strikes and also were set by Native Americans, who used fire for warfare, signaling, and to refresh the native grasses. The indigenous inhabitants understood the value of fire as a tool, and that the highly palatable growth following a fire provided excellent forage for their horses, and attracted grazing game animals such as bison and elk.

Land use patterns by post-European settlement have greatly altered the historical fire regime, allowing the expansion of the woody component. Introduction of eastern redcedar (ERC) as a windbreak species further facilitates invasion by this species.

While eastern redcedar is native to the landscape, the historic population in MLRA 106 was limited to isolated pockets in rugged river drainageways that were subsequently insulated from fire. Widespread plantings of windbreaks with eastern redcedar as a primary component have provided a seed source for the aggressive woody plant. The ensuing encroachment into the native grasslands degrades the native wildlife habit and causes significant forage loss for domestic livestock. However, since it is not a root-sprouter, eastern redcedar is very susceptible to fire when under six feet tall. Management with prescribed fire is exceedingly effective if applied before this stage. Larger redcedars can also be controlled with fire, but successful application requires the use of specifically-designed ignition and holding techniques.

Fragmentation of the native grasslands by conversion to cropland, transportation corridors, and other developments have effectively disrupted the natural fire regime of this ecosystem. This has allowed encroachment by native and introduced shrubs and trees into the remnants of the native prairie throughout the MLRA. Aggressive fire suppression policies have exacerbated this process to the point that shrub and tree encroachment is a major ecological issue in the majority of both native and reseeded grasslands.

Classification relationships

Major Land Resource Area (MLRA): 106 Major Land Resource Area (MLRA) (USDA-Natural Resources Conservation Service, 2006)

General information for MLRA 106:

Fenneman (1916) Physiographic Regions Division – Interior Plains
Province – Central Lowland
Section – Dissected Till Plains

USFS (2007) Ecoregions
Domain – Humid Temperate
Division – Prairie
Province – Prairie Parkland (Temperate)

Section – Central Dissected Till Plains (251C)

EPA Ecoregions (Omernik 1997)

I – Great Plains (9)

II – Temperate Prairies (9.2)

III – Western Corn Belt Plains (9.2.3)

IV – Loess and Glacial Drift Hills (47i)

Associated Counties

Nebraska: Butler, Cass, Gage, Jefferson, Johnson, Lancaster, Nemaha, Otoe, Pawnee, Richardson, Saline, Saunders, Seward

Kansas: Atchison, Brown, Doniphan, Douglas, Franklin, Jackson, Jefferson, Johnson, Leavenworth, Marshall, Nemaha, Osage, Pottawatomie, Shawnee, Wabaunsee, Washington, Wyandotte

Ecological site concept

The Loamy Terrace site is found in elevated terrace positions just above the floodplain. This site receives water from the adjacent upland sites. While the majority of these sites have been farmed, the historical vegetation was Tallgrass Prairie.

Associated sites

R106XY032NE	Subirrigated Often located adjacent to the Loamy Terrace site, the Subirrigated site has a higher water table, and a higher percentage of water tolerant species in the vegetative community.
R106XY074NE	Clayey Upland Often located adjacent to, and higher on the landscape than the Loamy Terrace site.
R106XY075NE	Loamy Upland Often located adjacent to, and higher on the landscape than the Loamy Terrace site.

Similar sites

R106XY068NE	Loamy Floodplain Often located adjacent to but lower on the landscape than the Loamy Terrace site, the Loamy Floodplain site is subject to frequent flooding.
-------------	---

Table 1. Dominant plant species

Tree	Not specified
Shrub	Not specified
Herbaceous	(1) <i>Andropogon gerardii</i> (2) <i>Sorghastrum nutans</i>

Physiographic features

The Loamy Terrace site is located on elevated terrace positions along drainages. The landscape positions include foot slopes, upland drainage ways, alluvial fans and floodplain steps. This site typically receives water from the upland sites.

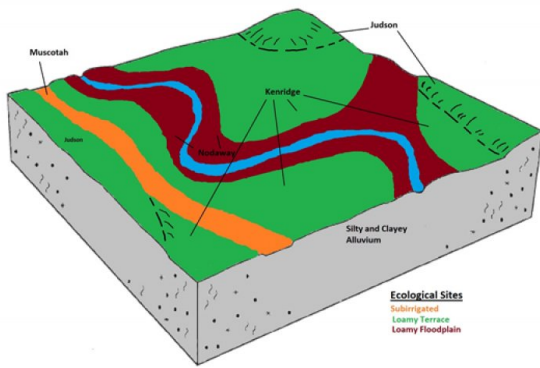


Figure 2. Block Diagram

Table 2. Representative physiographic features

Landforms	(1) Alluvial fan (2) Flood-plain step
Flooding frequency	Rare to occasional
Elevation	228–516 m
Slope	0–12%
Water table depth	61–183 cm
Aspect	Aspect is not a significant factor

Climatic features

Like most Great Plains landscapes, the climate in this MLRA is under the sway of the continental effect. This creates a regime of extremes, with summer highs often in the triple digits, and winter lows plunging well below zero. Blizzards can occur anytime between early fall and late spring, often dropping the temperature more than 50 degrees in just a few hours. These events can pile up several feet of snow, often driven by winds in excess of 50 miles an hour. The resulting huge snow drifts can cause serious hardship for livestock, wildlife, and humans. Winters can be open, with bare ground for most of the season, or closed, with up to several feet of snow persisting until March. Most winters have a number of warm days, interspersed with dropping temperatures, usually associated with approaching cold fronts. Spring brings violent thunderstorms, hail, and high winds. Tornadoes occur frequently.

About three-fourths of the precipitation falls as high-intensity, convective thunderstorms from late in spring through early in autumn.

The average annual precipitation gradient trends higher from northwest (28") to southeast (40"), and the average annual temperature gradient trends higher from north (50°F) to south (55°F).

Daily winds range from an average of 14 miles per hour during the spring to 11 miles per hour during the late summer. Occasional strong storms may bring brief periods of high winds with gusts to more than 80 miles per hour. Growth of native cool-season plants begins in early April and continues to about mid-June. Native warm-season plants begin growth in early June, and continue to early August. Green-up of cool-season plants may occur in September and October.

Table 3. Representative climatic features

Frost-free period (characteristic range)	136-147 days
Freeze-free period (characteristic range)	161-188 days
Precipitation total (characteristic range)	787-965 mm
Frost-free period (actual range)	129-156 days
Freeze-free period (actual range)	155-191 days

Precipitation total (actual range)	762-1,016 mm
Frost-free period (average)	142 days
Freeze-free period (average)	173 days
Precipitation total (average)	864 mm

Climate stations used

- (1) CENTRALIA [USC00141408], Centralia, KS
- (2) HIAWATHA 9 ESE [USC00143634], Robinson, KS
- (3) LAWRENCE [USC00144559], Lawrence, KS
- (4) OSKALOOSA 4 NE [USC00146100], Mc Louth, KS
- (5) PERRY LAKE [USC00146333], Perry, KS
- (6) AUBURN 5 ESE [USC00250435], Auburn, NE
- (7) CRETE [USC00252020], Crete, NE
- (8) SYRACUSE [USC00258395], Syracuse, NE
- (9) WAHOO [USC00258905], Wahoo, NE
- (10) BONNER SPRINGS [USC00140957], Bonner Springs, KS
- (11) HOLTON [USC00143759], Holton, KS
- (12) HORTON [USC00143810], Horton, KS
- (13) ASHLAND NO 2 [USC00250375], Ashland, NE
- (14) TECUMSEH 1S [USC00258465], Tecumseh, NE
- (15) TOPEKA MUNI AP [USW00013996], Topeka, KS
- (16) LINCOLN UNIV PWR PLT [USW00014971], Lincoln, NE
- (17) PAWNEE CITY [USC00256570], Pawnee City, NE
- (18) MARYSVILLE [USC00145063], Marysville, KS
- (19) MEAD 6S [USC00255362], Ithaca, NE
- (20) RAYMOND 2NE [USC00257055], Raymond, NE
- (21) TABLE ROCK 4 N [USC00258410], Table Rock, NE
- (22) VIRGINIA [USC00258875], Virginia, NE
- (23) WEEPING WATER [USC00259090], Weeping Water, NE

Influencing water features

This site occurs on nearly level areas that receive additional water from overflow of intermittent streams or runoff from adjacent slopes.

Soil features

The majority of these very deep soils are moderately well to well drained, with some instances of somewhat poorly drained in the Chase series. The Loamy Terrace site typically receives extra water from runoff, and is rarely to occasionally flooded. The soils associated with the site are formed in alluvium, and colluvium, with moderately low to high saturated hydraulic conductivity.

Major soil series correlated to this ecological site include: Judson, Eudora, Kenridge, and Chase.

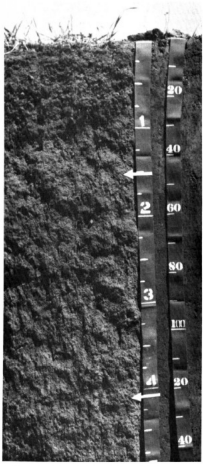


Figure 9. Judson series

Table 4. Representative soil features

Surface texture	(1) Sandy loam (2) Silty clay loam
Drainage class	Somewhat poorly drained to well drained
Soil depth	0–203 cm
Available water capacity (0-101.6cm)	30.99–38.1 cm
Soil reaction (1:1 water) (0-101.6cm)	5.7–7.8

Ecological dynamics

Loamy Terrace sites developed under Northern Great Plains climatic conditions, light to severe grazing by bison and other large herbivores, sporadic natural or man-caused wildfire, and other biotic and abiotic factors that typically influence soil/site development. This continues to be a disturbance-driven site, by herbivory, fire, and variable climate. Changes occur in the plant communities due to short-term weather variations, impacts of native and/or exotic plant and animal species, and management actions. The landscape position and association with streams make this site somewhat less susceptible to fire, which allowed woody species to become more abundant than less sheltered sites in the MLRA.

One of the primary impacts to this site introduced by European-man is season-long continuous grazing by domestic livestock. This management practice causes the repeated removal of the growing point and excessive defoliation of the leaf area of individual tall warm season grasses. The resulting reduction of the plants ability to harvest sunlight depletes the root reserves, subsequently decreasing the root mass. This negatively impacts the plants' ability to compete for life sustaining nutrients, resulting in declining vigor, and eventual mortality. The space created in the vegetative community is then occupied by a species that evades the negative grazing impacts by a growing season adaptation (such as a cool season), a shorter structure or a reduced palatability mechanism.

The State and Transition Model (STM) is depicted below, and is made up of a Reference State, a Native/Invaded State, a Sod-busted State and an Invaded Woody State. Each state represents the crossing of a major ecological threshold due to alteration of the functional dynamic properties of the ecosystem. The main properties observed to determine this change are the soil and vegetative communities, and the hydrological cycle.

Each state may have one or more vegetative communities that fluctuate in species composition and abundance within the normal parameters of the state. Within each state, communities may degrade or recover in response to natural and man caused disturbances such as variation in the degree and timing of herbivory, presence or absence of fire, and climatic and local fluctuations in the precipitation regime. Periodic flooding and deposition events can cause a wide variability in plant communities and production on this site.

Interpretations are primarily based on the Reference State, and have been determined by study of rangeland relic areas, areas protected from excessive disturbance, and areas under long-term rotational grazing regimes. Trends in

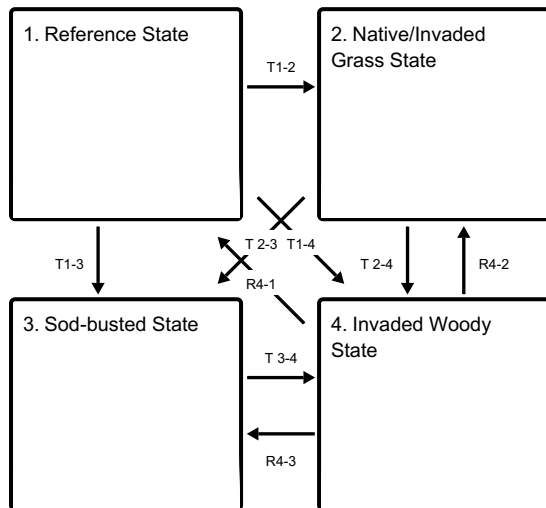
plant community dynamics have been interpreted from heavily grazed to lightly grazed areas, seasonal use pastures, and historical accounts. Plant communities, states, transitional pathways, and thresholds have been determined through similar studies and experience.

Growth of native cool season plants begins about April 1, and continues to about June 15. Native warm season plants begin growth about May 15, and continue to about August 15. Green up of cool season plants may occur in September and October if adequate moisture is available.

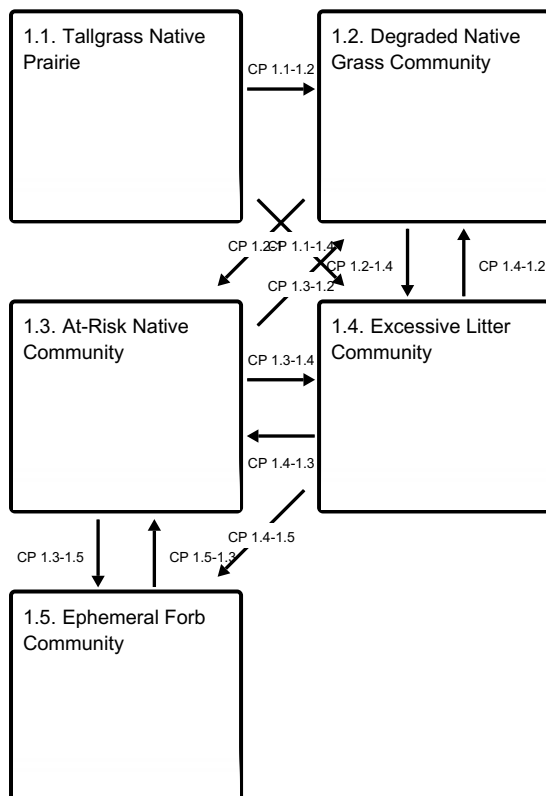
The following is a diagram that illustrates the common plant communities that can occur on the site and the transition pathways between communities.

State and transition model

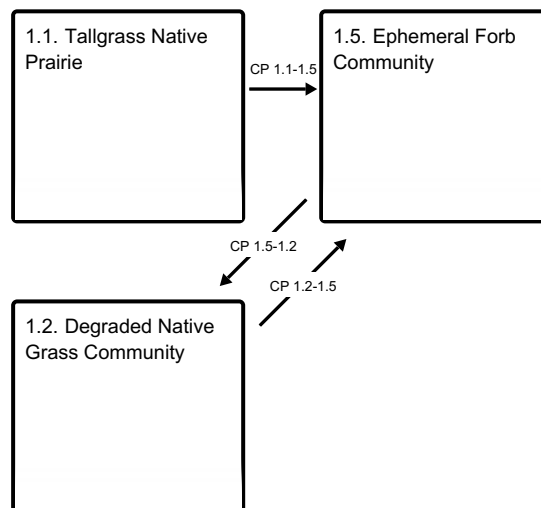
Ecosystem states



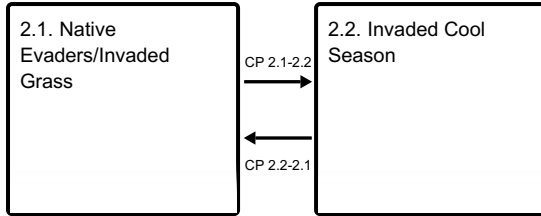
State 1 submodel, plant communities



Communities 1, 5 and 2 (additional pathways)



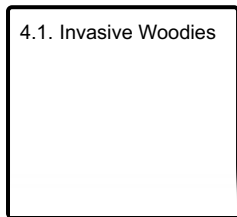
State 2 submodel, plant communities



State 3 submodel, plant communities



State 4 submodel, plant communities



State 1 Reference State

This state describes the range of vegetative community phases that occur on the Loamy Floodplain site where the natural processes are mostly intact. The Reference Community is a representation of the native plant community phase that occupies a site that has been minimally altered by management. The Degraded Native Grass, the At-Risk Grass, and the Excessive Litter Communities are the phases that result from management decisions that are unfavorable for a healthy Reference Community. The Ephemeral Forb Community is the result of a high intensity disturbance event. High perennial grass cover and production allows for increased soil moisture retention, vegetative production, and overall soil quality.

Community 1.1 Tallgrass Native Prairie

The Tallgrass Native Prairie Community serves as a description of the native plant community that naturally occurs on the site when the natural disturbance regimes are intact, or closely mimicked by management practices. This phase is dynamic, with fluid relative abundance and spatial boundaries between the dominant structural vegetative groups. These fluctuations are primarily driven by different responses of the species to changes in precipitation timing and abundance, and fire and grazing events. The potential vegetation consists of approximately 80-90 percent grasses and grass-like plants, 5-10 percent forbs, and 0-5 percent shrubs. Big bluestem, Indiangrass, eastern gamma grass (in the south), prairie cordgrass and switchgrass are the primary species in this community. Secondary species include little bluestem, sedges, dropseed, grama grasses, and western wheatgrass. The site has a diverse forb population. A deciduous woody population may be present. This plant community is highly productive, diverse, and resistant to short term stresses such as drought and short periods of heavy stocking. The well-developed root systems support resiliency when allowed adequate recovery periods between grazing events. When exposed to long-term or frequent over-grazing events without adequate rest, this plant community will degrade. The average annual total vegetative production of this community ranges from a minimum of 3,000 lbs per acre in the north, to a maximum of 10,000 lbs per acre in the southern part of the MLRA. The production and species data depicted in the associated species composition table are from the northern end of the MLRA, and should be interpreted accordingly. Some of the species discussed in the narrative originate from sources independent of the plant table.

Table 5. Annual production by plant type

Plant Type	Low (Kg/Hectare)	Representative Value (Kg/Hectare)	High (Kg/Hectare)
Grass/Grasslike	2354	3727	7454
Forb	448	729	1009
Shrub/Vine	168	252	336
Total	2970	4708	8799

Figure 11. Plant community growth curve (percent production by month). NE1064, Nebraska and Kansas Loess-Drift Hills. Warm season dominant with occasional overflow.

Jan	Feb	Mar	Apr	May	Jun	Jul	Aug	Sep	Oct	Nov	Dec
0	1	4	10	25	30	14	8	5	2	1	0

Community 1.2 Degraded Native Grass Community

Big bluestem, switchgrass, indiangrass, gamma grass, and other desirable species lose productive capacity through loss of vigor and reproductive potential. Forb diversity is reduced. Maximillian sunflower, rosinweed and compassplant numbers decline. Ragweed and other less palatable species increase. Any leadplant present in decline, while buckbrush and smooth sumac patches begin to increase. Midgrasses such as little bluestem, western wheatgrass, grama grasses, and various sedges increase. Kentucky bluegrass, and dropseed begin to become apparent. This community phase signals a significant loss of production. This is due to continuous season-long grazing with inadequate recovery periods. Grazing-evasive warm-season and cool-season grasses increase. The composition of the forb component remains diverse, but the potential for encroachment by invasive woody species becomes more likely, due to fewer deep rooted species and a reduced fuel load to carry fire. While this plant community is less productive and less diverse than the representative plant community, it remains sustainable in regards to site/soil stability, watershed function, and biologic integrity. The average annual vegetative production in the northern portion of the MLRA is 3,200 lbs/acre.

Community 1.3 At-Risk Native Community

In this plant community, the more palatable tall warm-season grasses have been reduced to remnant populations by continued defoliation during their critical growth periods. Grazing-evasive warm-season and cool-season grasses increase significantly. Dropseed, smooth bromegrass, western wheatgrass, grama grasses, and Kentucky bluegrass become dominant. Tall fescue is prominent in the south. Annual bromes may be present, often in abundance. Palatable forbs have been reduced. Goldenrod, ironweed, and heath aster become abundant. The woody community may begin to increase. Soil health is affected by reduced efficiency in the nutrient, mineral, and hydrologic cycles as a result of decreases in plant litter and rooting depths. Total annual vegetative production declines significantly. Without a management change, this community is at-risk to degrade to the Native/Invaded Grass State.

Figure 12. Plant community growth curve (percent production by month). NE1069, MLRA 106 Warm/cool-season mix.

Jan	Feb	Mar	Apr	May	Jun	Jul	Aug	Sep	Oct	Nov	Dec
0	1	4	10	23	26	17	8	6	4	1	0

Community 1.4 Excessive Litter Community

The Excessive Litter Community Phase describes the response of the community to the removal of the natural disturbances of herbivory and fire. As the undisturbed duff layer deepens, infiltration of the precipitation is interrupted and evaporation increases significantly, simulating drought-like conditions.

Community 1.5

Ephemeral Forb Community

This community describes the flush of forbs that occurs in response to a major disturbance, or combination of disturbances. Growing season wildfire followed by hail, extreme prolonged drought, or extreme defoliation by herbivores are all examples of these disturbances. The native warm-season grasses re-establish dominance within a few years of the event.

Pathway CP 1.1-1.2

Community 1.1 to 1.2

A shift from the Tallgrass Native Prairie to the Degraded Native Grass Community occurs with continuous season-long grazing and inadequate recovery periods during the growing season.

Pathway CP 1.1-1.4

Community 1.1 to 1.4

Prolonged interruption of the natural disturbances of herbivory and fire will result in conversion from this community to the Excessive Litter Community.

Pathway CP 1.1-1.5

Community 1.1 to 1.5

A high-impact disturbance event or combination of events causing excessive defoliation of the vegetation, i.e. a growing season wildfire followed by a significant hailstorm, or a prolonged intensive grazing event or long-term drought, etc.

Pathway CP 1.2-1.3

Community 1.2 to 1.3

Maintaining continuous season long grazing or haying with inadequate recovery periods during the growing season further degrades the site to the At-Risk Grass Community.

Pathway CP 1.2-1.4

Community 1.2 to 1.4

Prolonged interruption of the natural disturbances of herbivory and fire will result in conversion from this community to the Excessive Litter Community.

Pathway CP 1.2-1.5

Community 1.2 to 1.5

A high-impact disturbance event, or combination of events causing excessive defoliation of the vegetation, i.e. a growing season wildfire followed by a significant hailstorm, or a prolonged intensive grazing event, or long-term drought, etc.

Pathway CP 1.3-1.2

Community 1.3 to 1.2

Reversing the downward trend to the previous community can be achieved with prescribed grazing early and late in the growing season to reduce undesirable cool season grasses. Targeting the peak growth period of cool season grasses with high intensity grazing events followed by rest will allow the tall native warm season grasses to rejuvenate. Appropriately timed prescribed fire will accelerate this process.

Conservation practices

Access Control

**Pathway CP 1.3-1.4
Community 1.3 to 1.4**

Prolonged interruption of the natural disturbances of herbivory and fire will result in conversion from this community to the Excessive Litter Community.

**Pathway CP 1.3-1.5
Community 1.3 to 1.5**

A high-impact disturbance event, or combination of events causing excessive defoliation of the vegetation, i.e. a growing season wildfire followed by a significant hailstorm, or a prolonged intensive grazing event, or long-term drought, etc.

**Pathway CP 1.4-1.2
Community 1.4 to 1.2**

Re-introduction of the natural processes of herbivory and fire will allow the vegetation to return to the previous community.

**Pathway CP 1.4-1.3
Community 1.4 to 1.3**

Re-introduction of the natural processes of herbivory and fire will allow the vegetation to return to the previous community.

**Pathway CP 1.4-1.5
Community 1.4 to 1.5**

A high-impact disturbance event, or combination of events causing excessive defoliation of the vegetation, i.e. a growing season wildfire followed by a significant hailstorm, or a prolonged intensive grazing event, or long-term drought, etc.

**Pathway CP 1.5-1.2
Community 1.5 to 1.2**

Restoration occurs naturally once the disturbance event has subsided. Allowing growing season rest will accelerate the recovery.

Conservation practices

Access Control

**Pathway CP 1.5-1.3
Community 1.5 to 1.3**

Restoration occurs naturally once the disturbance event has subsided. Allowing growing season rest will accelerate the recovery.

Conservation practices

Access Control

State 2

Native/Invaded Grass State

This state has been degraded from the Reference State and much of the native warm-season grass community has been replaced by less desirable plants. The loss of tall and mid- warm-season grasses has negatively impacted energy flow and nutrient cycling. Water infiltration is reduced due to the shallow root system and rapid runoff characteristics of the grazing-evasive plant communities. The Native Evaders/Invasives and the Invaded Cool Season communities are the components of the Native/Invaded Grass State.

Community 2.1

Native Evaders/Invaded Grass

This plant community represents a shift from the Reference State across a plant community threshold. With continued grazing pressure, Kentucky bluegrass, smooth brome grass (tall fescue in the south) grama grasses, and dropseed will become the dominant plant species, with only trace remnants of the more palatable mid-warm-season grasses. Annual brome grasses are often abundant in large patches. Continuous and heavy grazing pressure will maintain this plant community in a sod-bound condition. Forb richness and diversity has decreased. Leadplant is rare in this phase, while sumac patches continue to expand. With the decline and loss of deeper penetrating root systems, a compacted layer may form in the soil profile below the more shallow replacement root systems. Some of the forbs associated with this phase are ironweed, ragweed, and heath aster. Grazing management practices that allow for adequate periods of recovery between grazing events will favor mid and tall warm-season grasses. Appropriately timed prescribed fire will accelerate the restoration process.

Community 2.2

Invaded Cool Season

This plant community contains predominately smooth brome grass (tall fescue in the south), and annual bromes. Some warm season remnants are present. Almost all of the palatable forbs and shrubs have been replaced by more grazing evasive species. Production of this plant community is highly variable, depending upon the percentages of species present and outside inputs such as fertilizer and weed control.

Figure 13. Plant community growth curve (percent production by month). NE1067, Nebraska and Kansas Loess Drift Hills. Invaded cool season dominant.

Jan	Feb	Mar	Apr	May	Jun	Jul	Aug	Sep	Oct	Nov	Dec
0	0	5	13	28	28	12	5	6	3	0	0

Pathway CP 2.1-2.2

Community 2.1 to 2.2

This community will be converted to a smooth brome/fescue community through the following practices: introduced grass seeding, excessive warm season grazing, inadequate warm season rest, multi season haying and nitrogen fertilizing in spring and/or fall.

Pathway CP 2.2-2.1

Community 2.2 to 2.1

Restoration can be achieved by herbicide treatment and reseeding. If adequate native remnants are present, appropriately timed prescribed fire and a follow-up prescribed grazing program may achieve the desired results.

State 3

Sod-busted State

This threshold is crossed as a result of mechanical disturbance to facilitate production agriculture. If farming operations are suspended, the site can be abandoned, which will result in the Naturally Reclaimed Community, or be re-seeded to a desired perennial forage mixture, which is described as the Re-seeded Community. Permanent alterations of the soil community and the hydrological cycle make restoration to the original native Reference Community extremely difficult, if not impossible. Formation of a compacted plow pan in the soil profile is likely.

Community 3.1

Re-Seeded Grass

This plant community does not contain native remnants, and varies considerably depending on the seed mixture, the degree of soil erosion, the age of the stand, nitrogen fertilizer use, and past grazing management. Prescribed grazing with adequate recovery periods will be needed to maintain productivity and desirable species. Native range and seeded grasslands are ecologically different, and should be managed separately. Factors such as functional group, species, stand density, and improved varieties all impact the production level and palatability of the seedings. Species diversity is often limited, and when grazed in conjunction with native rangelands, uneven forage utilization may occur. Total annual production during an average year varies significantly depending on precipitation, management and grass species seeded.

Community 3.2

Natural Reclamation

This plant community consists of annual and perennial weeds and less desirable grasses. These sites have been farmed and abandoned without being reseeded. Soil organic matter/carbon reserves are reduced, soil structure is changed, and a plow-pan or compacted layer can be formed which decreases water infiltration. Residual synthetic chemicals may remain from farming operations. In early successional stages, this community is not stable. Erosion is a concern. Total annual production during an average year varies significantly depending on the succession stage of the plant community and any management applied to the system.

State 4

Invaded Woody State

Once the tree canopy cover reaches 15 percent with an average tree height exceeding 5 feet, the threshold is crossed to the Invaded Woody State. Woody species are encroaching due to lack of prescribed fire and other brush management practices. Typical ecological impacts are a loss of native warm season grasses, degraded forage productivity and reduced soil quality. This state consists of the Invasive Woodies Community.

Community 4.1

Invasive Woodies

This community has at least a 15 percent canopy of wooded cover. Sycamore, elm, ash, oak and cottonwood are some of the deciduous invaders, while eastern redcedar is the primary evergreen encroacher. In the absence of fire and brush management, this site is very conducive to cedar seedling invasion, especially when adjacent to a seed source. Cedars can eventually dominate the site, resulting in a closed canopy monoculture which drastically reduces forage production and has limited value for either livestock grazing or wildlife habitat. Eastern redcedar control can usually be accomplished with prescribed burning while the trees are six foot tall or less and fine fuel production is over 1,500 pounds per acre. Trees of all heights can be controlled with the use of specifically adapted preparation, and ignition and holding techniques. Mechanical removal followed by a chemical treatment on stumps is effective on locust. Total annual production during an average year varies significantly, depending on the production level prior to encroachment and the percentage of canopy cover.

Transition T1-2

State 1 to 2

Heavy grazing or haying without adequate recovery periods will cause this state to lose a significant proportion of tall and mid- warm-season grass species and cross a threshold to the Native/Invaded State. Water infiltration and other hydrologic functions will be reduced due to the root matting presence of sod-forming grasses. With the decline and loss of deeper penetrating root systems, soil structure and biological integrity are catastrophically degraded to the point that recovery is unlikely. Once this occurs, it is highly unlikely that grazing management alone will return the community to the Reference State.

Transition T1-3

State 1 to 3

The Reference State is significantly altered by mechanical tillage to allow the site to be placed into production agriculture. The disruption to the plant community, the soil and the hydrology of the system make restoration to a true reference state unlikely.

Transition T1-4 State 1 to 4

Disruption of the natural fire regime and the planting of invasive exotic and native woody species can cause this state to shift to the Invaded Woody State.

Transition T 2-3 State 2 to 3

The state is significantly altered by mechanical tillage to allow the site to be placed into production agriculture. The disruption to the plant community, the soil and the hydrology of the system make restoration to a true reference state unlikely.

Transition T 2-4 State 2 to 4

Disruption of the natural fire regime and the planting of invasive exotic and native woody species can cause this state to shift to the Invaded Woody State.

Transition T 3-4 State 3 to 4

Disruption of the natural fire regime and the planting of invasive exotic and native woody species can cause this state to shift to the Invaded Woody State.

Restoration pathway R4-1 State 4 to 1

Prescribed burning, wildfire, harvest, and brush management will move this plant community toward one of the herbaceous plant dominated plant communities. The forb component of a site with heavy tree density or canopy cover will initially increase following tree removal through mechanical brush management treatments and prescribed fire. Neither the Sod-busted nor the Native/Invaded State can return to the Reference State through this process, as the native plant community, soils, and hydrological cycle have been too severely degraded.

Conservation practices

Brush Management
Prescribed Burning
Prescribed Grazing

Restoration pathway R4-2 State 4 to 2

Prescribed burning, wildfire, harvest, and brush management will move this plant community toward one of the herbaceous plant dominated plant communities. The forb component of a site with heavy tree density or canopy cover will initially increase following tree removal through mechanical brush management treatments and prescribed fire. Neither the Sod-busted nor the Native/Invaded State can return to the Reference State through this process, as the native plant community, soils, and hydrological cycle have been too severely degraded.

Restoration pathway R4-3 State 4 to 3

Prescribed burning, wildfire, harvest, and brush management will move this plant community toward one of the herbaceous plant dominated plant communities. The forb component of a site with heavy tree density or canopy cover will initially increase following tree removal through mechanical brush management treatments and prescribed fire. Neither the Sod-busted nor the Native/Invaded State can return to the Reference State through this process, as the native plant community, soils, and hydrological cycle have been too severely degraded.

Additional community tables

Table 6. Community 1.1 plant community composition

Group	Common Name	Symbol	Scientific Name	Annual Production (Kg/Hectare)	Foliar Cover (%)
Grass/Grasslike					
1				2130–4259	
	big bluestem	ANGE	<i>Andropogon gerardii</i>	560–2242	–
	Indiangrass	SONU2	<i>Sorghastrum nutans</i>	336–1681	–
	little bluestem	SCSC	<i>Schizachyrium scoparium</i>	448–1569	–
	switchgrass	PAVI2	<i>Panicum virgatum</i>	0–673	–
	eastern gamagrass	TRDA3	<i>Tripsacum dactyloides</i>	0–448	–
	prairie dropseed	SPHE	<i>Sporobolus heterolepis</i>	0–224	–
2				112–560	
	porcupinegrass	HESP11	<i>Hesperostipa spartea</i>	112–560	–
3				112–280	
	sideoats grama	BOCU	<i>Bouteloua curtipendula</i>	0–280	–
	sedge	CAREX	<i>Carex</i>	0–280	–
	Scribner's rosette grass	DIOLS	<i>Dichantherium oligosanthes</i> var. <i>scribnerianum</i>	0–280	–
	Canada wildrye	ELCA4	<i>Elymus canadensis</i>	0–280	–
	Virginia wildrye	ELVI3	<i>Elymus virginicus</i>	0–280	–
	purple lovegrass	ERSP	<i>Eragrostis spectabilis</i>	0–280	–
	prairie Junegrass	KOMA	<i>Koeleria macrantha</i>	0–280	–
	yellow foxtail	SEPU8	<i>Setaria pumila</i>	0–280	–
Forb					
4				224–448	
	white prairie clover	DACA7	<i>Dalea candida</i>	0–448	–
	purple prairie clover	DAPU5	<i>Dalea purpurea</i>	0–448	–
	Illinois bundleflower	DEIL	<i>Desmanthus illinoensis</i>	0–448	–
	Illinois ticktrefoil	DEIL2	<i>Desmodium illinoense</i>	0–448	–
	button eryngo	ERYU	<i>Eryngium yuccifolium</i>	0–448	–
	Maximilian sunflower	HEMA2	<i>Helianthus maximiliani</i>	0–448	–
	stiff sunflower	HEPA19	<i>Helianthus pauciflorus</i>	0–448	–
	roundhead lespedeza	LECA8	<i>Lespedeza capitata</i>	0–448	–
	cobaea beardtongue	PECO4	<i>Penstemon cobaea</i>	0–448	–
	fringeleaf wild petunia	RUHU	<i>Ruellia humilis</i>	0–448	–
	pitcher sage	SAAZG	<i>Salvia azurea</i> var. <i>grandiflora</i>	0–448	–
	compassplant	SILA3	<i>Silphium laciniatum</i>	0–448	–
	bluejacket	TROH	<i>Tradescantia ohiensis</i>	0–224	–

	groundplum milkvetch	ASCR2	<i>Astragalus crassicaarpus</i>	0-224	-
5				224-448	
	Cuman ragweed	AMPS	<i>Ambrosia psilostachya</i>	0-448	-
	white sagebrush	ARLU	<i>Artemisia ludoviciana</i>	0-448	-
	blue wild indigo	BAAUA	<i>Baptisia australis var. australis</i>	0-448	-
	wavyleaf thistle	CIUN	<i>Cirsium undulatum</i>	0-448	-
	ashy sunflower	HEMO2	<i>Helianthus mollis</i>	0-448	-
	tall blazing star	LIAS	<i>Liatris aspera</i>	0-448	-
	slimflower scurfpea	PSTE5	<i>Psoralidium tenuiflorum</i>	0-448	-
	Missouri goldenrod	SOMI2	<i>Solidago missouriensis</i>	0-448	-
	Baldwin's ironweed	VEBA	<i>Vernonia baldwinii</i>	0-448	-
	pineland wild indigo	BALE4	<i>Baptisia lecontei</i>	0-112	-
6				0-112	
	common yarrow	ACMI2	<i>Achillea millefolium</i>	0-112	-
	Carolina anemone	ANCA9	<i>Anemone caroliniana</i>	0-112	-
		APFL	<i>Apocynum xfloribundum</i>	0-112	-
	butterfly milkweed	ASTU	<i>Asclepias tuberosa</i>	0-112	-
	whorled milkweed	ASVE	<i>Asclepias verticillata</i>	0-112	-
	green antelopehorn	ASVI2	<i>Asclepias viridis</i>	0-112	-
	false boneset	BREU	<i>Brickellia eupatorioides</i>	0-112	-
	white prairie clover	DACA7	<i>Dalea candida</i>	0-112	-
	Carolina larkspur	DECAV2	<i>Delphinium carolinianum ssp. virescens</i>	0-112	-
	blacksamson echinacea	ECAN2	<i>Echinacea angustifolia</i>	0-112	-
	dotted blazing star	LIPU	<i>Liatris punctata</i>	0-112	-
	upright prairie coneflower	RACO3	<i>Ratibida columnifera</i>	0-112	-
	pinnate prairie coneflower	RAPI	<i>Ratibida pinnata</i>	0-112	-
	blackeyed Susan	RUHI2	<i>Rudbeckia hirta</i>	0-112	-
	swamp verbena	VEHA2	<i>Verbena hastata</i>	0-112	-
	hoary verbena	VEST	<i>Verbena stricta</i>	0-112	-
Shrub/Vine					
7				168-336	
	leadplant	AMCA6	<i>Amorpha canescens</i>	56-336	-
	Jersey tea	CEHE	<i>Ceanothus herbaceus</i>	56-336	-
	smooth sumac	RHGL	<i>Rhus glabra</i>	0-336	-
	prairie rose	ROAR3	<i>Rosa arkansana</i>	56-336	-
	western snowberry	SYOC	<i>Symphoricarpos occidentalis</i>	0-336	-
	coralberry	SYOR	<i>Symphoricarpos orbiculatus</i>	56-336	-

Animal community

LIVESTOCK – GRAZING INTERPRETATIONS:

Grazing by domestic livestock, primarily cattle, is one of the primary uses of the native grasslands. During the dormant period, the protein levels of the forage may be lower than the minimum needed to meet livestock

requirements. These sites are also hayed.

WILDLIFE INTERPRETATIONS:

Major Land Resource Area (MLRA) 106 lies primarily within the tallgrass prairie ecosystem. Prior to European settlement, this area consisted of diverse grassland habitats interspersed with varying densities of depressional wetlands and limited woody riparian corridors. These habitats provided critical life cycle components for the grassland birds, prairie dogs, and herds of roaming bison, elk, and pronghorn that historically occupied this landscape. Diverse populations of small mammals and insects provided a bountiful prey base for raptors and omnivores such as coyotes, foxes, raccoons, and opossums. Native Americans, bobcats, wolves, and mountain lions occupied the apex predator niche. In addition, a wide variety of reptiles and amphibians thrived in this landscape.

The tallgrass prairie was a disturbance-driven ecosystem with fire, herbivory, and climate functioning as the primary disturbances. Following European settlement, elimination of fire, widespread conversion to cropland, and other sources of habitat fragmentation significantly altered the appearance and functionality of the entire ecosystem. The reduced stability of the system is reflected by major changes in the composition and abundance of the native flora and fauna. Introduced and invading species further degrade the ecological integrity of the plant and animal communities. Bison and prairie dogs were historically keystone species, but free-roaming bison herds and nearly all prairie dogs have been extirpated in this region. The loss of bison and fire as ecological drivers greatly influenced the character of the remaining native grasslands and the habitats that they provide. Fragmentation has reduced habitat quality for numerous area-sensitive species, as highlighted by the decline of the greater prairie chicken. Many grassland-nesting bird populations, such as dickcissel and Henslow's sparrow, are also declining.

Historically, an ecological mosaic of the sites provided habitat for species requiring unfragmented grasslands. Important habitat features and components found commonly or exclusively on modern day remnants include upland nesting habitat for grassland birds and game birds; nesting and escape cover for waterfowl; forbs and insects for brood rearing habitat; and a forage source for small and large herbivores.

In this fragmented landscape, native grassland bird populations face increasing competition from the opportunistic European starlings and house sparrows, and are subject to nest parasitism from brown-headed cowbirds.

Tree encroachment creates habitat that favors generalist species such as American robin and mourning dove, and provides perches for raptors, increasing the predation mortality.

Introduced species such as smooth brome grass, reed canarygrass, Kentucky bluegrass, nodding plumeless thistle, and Canada thistle further degrade the biological integrity of many of these remnant prairies.

1. REFERENCE STATE: The predominance of tall grasses and forbs in this community makes it ideal for grazers and mixed-feeders. Pollinating insects play a large role in maintaining the forb community, and provide a food source for grassland birds and other grassland-dependent species. The vegetative structural diversity provides habitat for reptiles, amphibians, and a wide array of native and introduced bird species. The abundant prey base supports populations of Swainson's hawk, short-eared, and great horned owls, and other grassland raptors. The grasses, forbs, and shrubs provide high nutrition levels for small and large herbivores including moles, mice, ground squirrels, and whitetail deer. The structure of this plant community provides suitable thermal, protective, and escape cover for small herbivores and grassland birds. Many wide-ranging predators utilize this plant community, including coyote, badger, red fox, and least- and long-tailed weasels.

As the plant community degrades to more mid-grasses and fewer tall-grasses, less winter and escape cover are provided. It also provides less cover for predators.

Hydrological functions

The majority of these very deep soils are moderately well to well drained, with some instances of somewhat poorly drained. The soils correlated to the Loamy terrace site place it in classes A, C and D of the hydrological rating scale. The proximity of groundwater to the rooting zone of the deeply rooted tallgrasses during the growing season provides an abundance of water for the tallgrass component of the vegetative community, and vegetative production can be very high.

Recreational uses

This site provides hunting for upland game species and white-tailed deer, along with hiking, photography, and bird watching. The wide varieties of plants which bloom from spring until fall have an aesthetic value that appeals to visitors.

Wood products

In MLRA 106, the Loamy Overflow sites often have scattered populations of deciduous trees. These stands can provide firewood, select hardwood finishing lumber, and in some cases, cottonwoods can be used to make pallets. In the Invaded Woody Phase, eastern redcedar may provide posts, and cedar boards from the larger trees.

Other products

None of significance.

Other information

Site Development and Testing Plan:

Additional data collection and evaluation will be needed to develop this ESD to the Correlated level. This could include field activities to collect low-, medium-, and high-intensity sampling, soil correlations, and analysis of that data. Field reviews of the project plan should be done by soil scientists and vegetation specialists.

Inventory data references

Information presented here has been derived from new and historic data collection and field observations from range-trained personnel.

Other references

Harms, R. 2009. Recovery Outline for the Salt Creek tiger beetle (*Cicindela nevadica lincolniana*). Available online. <http://www.fws.gov/mountain-prairie/species/invertebrates/saltcreektiger/FinalRecoveryOutlineFeb2009.pdf>. Accessed 1/02/2018.

High Plains Regional Climate Center, University of Nebraska. Available online. <http://hpcc.unl.edu>. Accessed 12/05/16.

Johnsgaard, P.A. 2001. "The Nature of Nebraska." University of Nebraska Press.

Muhs, Daniel R., E. Bettis III, J. Aleinikoff, J. McGeehin, J. Beann, G. Skipp, B. Marshall, H. Roberts, W. Johnson, and R. Benton.

"Origin and paleoclimatic significance of late Quaternary loess in Nebraska: Evidence from stratigraphy, chronology, sedimentology, and geochemistry" (2008). USGS Staff -- Published Research, Paper 162. Available online. <http://digitalcommons.unl.edu/usgsstaffpub/162>. Accessed 12/05/16.

Spomer, S. and L. Higley. 2001. The Salt Creek Tiger Beetle. Bio-graphica International. Available online. <http://drshigley.com/lgh/sctb/default.htm>. Accessed 1/02/2018.

U.S. Dept. of Agriculture. NRCS National Ecological Site Handbook. Available online. <https://www.nrcs.usda.gov/wps/portal/nrcs/detailfull/soils/ref/?cid=nrcseprd1291232> Accessed January, 2014.

U.S. Dept. of Agriculture. NRCS National Engineering Handbook, Section 4. Available online. <https://directives.sc.egov.usda.gov/viewerFS.aspx?hid=21422>. Accessed August, 2011.

Personal communications with professional ecologists and wildlife experts.

Rolfsmeier, S.B. and G. Steinauer. 2010. "Terrestrial Ecological Systems and Natural Communities of Nebraska", (version IV). Nebraska Natural Heritage Program.

USDA, NRCS. National Water and Climate Center, Portland, OR. Available online. <http://wcc.nrcs.usda.gov>. Accessed 12/05/16.

USDA, NRCS. 1997. National Range and Pasture Handbook.

USDA, NRCS. National Soil Information System, Information Technology Center, Fort Collins, CO. Available online. <http://nasis.nrcs.usda.gov>. Accessed 12/05/16.

USDA, NRCS. 2002. The PLANTS Database, Version 3.5. Available online. <http://plants.usda.gov>. Accessed 12/05/16.

USDA, NRCS Soil Surveys from: Butler, Saunders, Lancaster, Cass, Otoe, Nemaha, Johnson, Gage, Pawnee, Saline, Seward, Saunders and Richardson Counties in Nebraska; and Atchison, Brown, Doniphan, Douglas, Franklin, Jackson, Jefferson, Johnson, Leavenworth, Marshall, Nemaha, Osage, Pottawatomie, Shawnee, Wabaunsee, Washington, Wyandotte Counties in Kansas.

Contributors

Initiated By Stu Mcfarland And Joe May. Revised By Doug Whisenhunt

Approval

David Kraft, 9/16/2019

Acknowledgments

I would like to express my appreciation for all of the work done by the Soils Team, the Local Practitioners Team, the Technical Team, the editor, and the QC and QA folks.

Non-discrimination Statement

In accordance with Federal civil rights law and U.S. Department of Agriculture (USDA) civil rights regulations and policies, the USDA, its Agencies, offices, and employees, and institutions participating in or administering USDA programs are prohibited from discriminating based on race, color, national origin, religion, sex, gender identity (including gender expression), sexual orientation, disability, age, marital status, family/parental status, income derived from a public assistance program, political beliefs, or reprisal or retaliation for prior civil rights activity, in any program or activity conducted or funded by USDA (not all bases apply to all programs). Remedies and complaint filing deadlines vary by program or incident.

Persons with disabilities who require alternative means of communication for program information (e.g., Braille, large print, audiotope, American Sign Language, etc.) should contact the responsible Agency or USDA's TARGET Center at (202) 720-2600 (voice and TTY) or contact USDA through the Federal Relay Service at (800) 877-8339. Additionally, program information may be made available in languages other than English.

To file a program discrimination complaint, complete the USDA Program Discrimination Complaint Form, AD-3027, available online and at any USDA office, or write a letter addressed to USDA and provide in the letter all of the information requested in the form. To request a copy of the complaint form, call (866) 632- 9992. Submit your completed form or letter to USDA by: (1) mail: U.S. Department of Agriculture, Office of the Assistant Secretary for Civil Rights, 1400 Independence Avenue, SW, Washington, D.C. 20250-9410; (2) fax: (202) 690-7442; or (3) email: program.intake@usda.gov.

Rangeland health reference sheet

Interpreting Indicators of Rangeland Health is a qualitative assessment protocol used to determine ecosystem condition based on benchmark characteristics described in the Reference Sheet. A suite of 17 (or more) indicators

are typically considered in an assessment. The ecological site(s) representative of an assessment location must be known prior to applying the protocol and must be verified based on soils and climate. Current plant community cannot be used to identify the ecological site.

Author(s)/participant(s)	
Contact for lead author	
Date	
Approved by	
Approval date	
Composition (Indicators 10 and 12) based on	Annual Production

Indicators

1. **Number and extent of rills:**

2. **Presence of water flow patterns:**

3. **Number and height of erosional pedestals or terracettes:**

4. **Bare ground from Ecological Site Description or other studies (rock, litter, lichen, moss, plant canopy are not bare ground):**

5. **Number of gullies and erosion associated with gullies:**

6. **Extent of wind scoured, blowouts and/or depositional areas:**

7. **Amount of litter movement (describe size and distance expected to travel):**

8. **Soil surface (top few mm) resistance to erosion (stability values are averages - most sites will show a range of values):**

9. **Soil surface structure and SOM content (include type of structure and A-horizon color and thickness):**

10. **Effect of community phase composition (relative proportion of different functional groups) and spatial distribution on infiltration and runoff:**

11. **Presence and thickness of compaction layer (usually none; describe soil profile features which may be mistaken for compaction on this site):**

12. **Functional/Structural Groups (list in order of descending dominance by above-ground annual-production or live foliar cover using symbols: >>, >, = to indicate much greater than, greater than, and equal to):**

Dominant:

Sub-dominant:

Other:

Additional:

13. **Amount of plant mortality and decadence (include which functional groups are expected to show mortality or decadence):**

14. **Average percent litter cover (%) and depth (in):**

15. **Expected annual annual-production (this is TOTAL above-ground annual-production, not just forage annual-production):**

16. **Potential invasive (including noxious) species (native and non-native). List species which BOTH characterize degraded states and have the potential to become a dominant or co-dominant species on the ecological site if their future establishment and growth is not actively controlled by management interventions. Species that become dominant for only one to several years (e.g., short-term response to drought or wildfire) are not invasive plants. Note that unlike other indicators, we are describing what is NOT expected in the reference state for the ecological site:**

17. **Perennial plant reproductive capability:**
